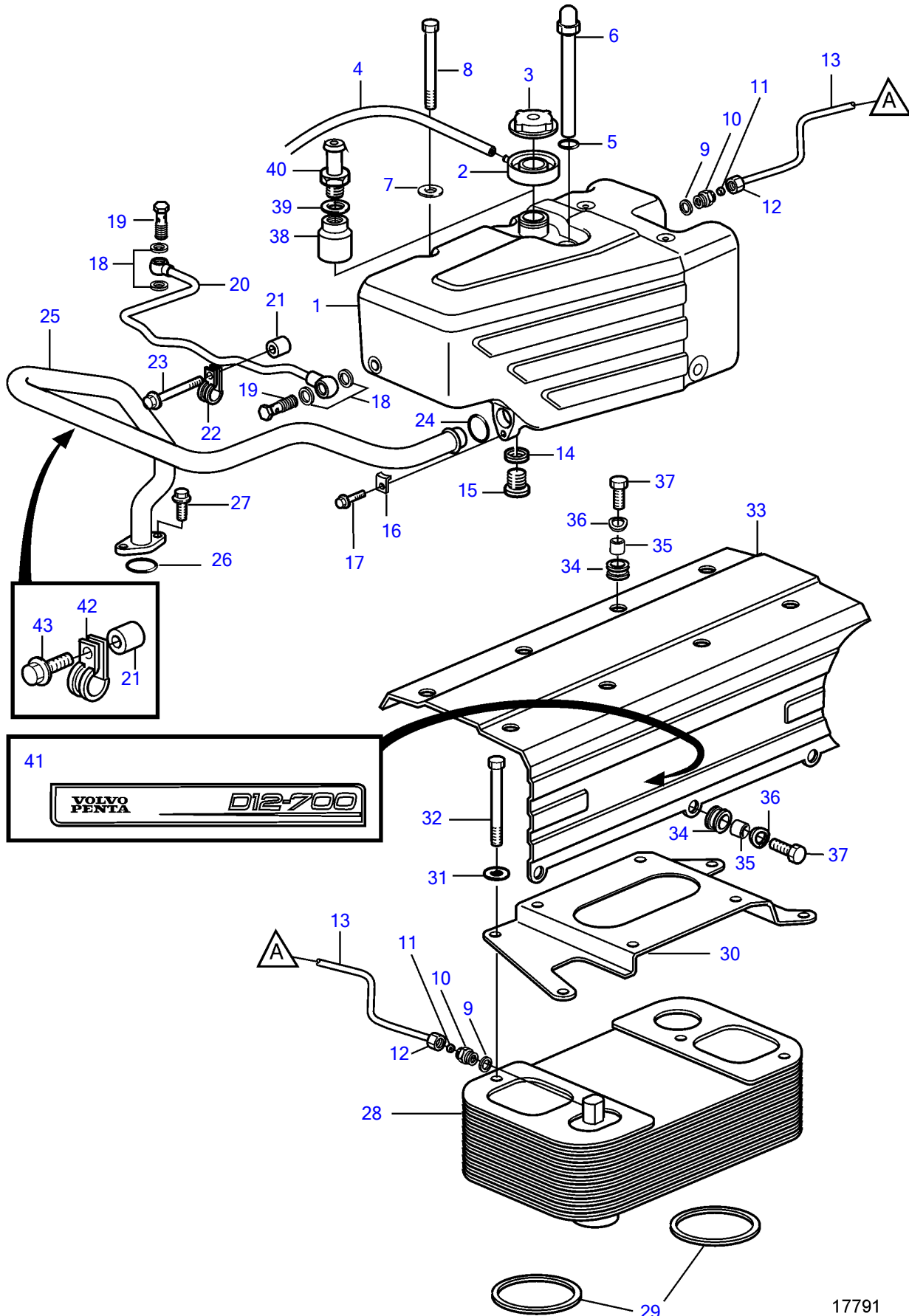


D12D-A MG, D12D-E MG



D12D-A MG, D12D-E MG

REF	PART NO.	QTY	DESCRIPTION	NOTES
1	3886225	1	Expansion tank	
2	3828863	1	Rubber collar	
3	1674083	1	Pressure cap	
4	192618	X	Hose	L=1050mm
5	976932	1	Gasket	
6	3827766	1	Level indicator	
7	941907	4	Spring washer	
8	968999	4	Flange screw	
9	947084	2	Gasket	
10	190132	2	Nipple	
11	956968	2	Ferrule	
12	956982	2	Fitting nut	
13	3831308	1	Air vent pipe	
14	948884	1	Gasket	
15	960632	1	Plug	
16	421654	1	Clamp	
17	946440	1	Flange screw	
18	947084	4	Gasket	
19	969299	2	Hollow screw	
20	3827549	1	Air vent pipe, therm. housing	
21	843075	2	Spacer sleeve	
22	942400	1	Clamp	
23	968999	1	Flange screw	
24	471637	1	Sealing ring	
25	3587289	1	Coolant pipe, circulation pump	
26	862637	1	Gasket	
27	946173	2	Flange screw	
28	889297	1	Intercooler	Replaced by 3840590
	3840590	1	Intercooler	Replaced by 21423502
	21423502	1	Intercooler	
29	976063	2	O-ring	
30	3828754	1	Bracket	
31	941908	4	Spring washer	
32	963261	4	Hexagon screw	
33	3830041	1	Cover	
34	673989	11	• Grommet	
35	3830336	11	Spacer	
36	941670	11	Washer	
37	946730	11	Hexagon screw	
38	3826167	1	Adapter	
39	836169	1	Gasket	
40	943268	1	Hose nipple	
41	(3835919)	1	Decal	Obsolete part, D12-AUX, Repl by 3887841
	3887841	1	Decal	D12-MG
42	947827	1	Clamp	
43	945444	1	Flange screw	