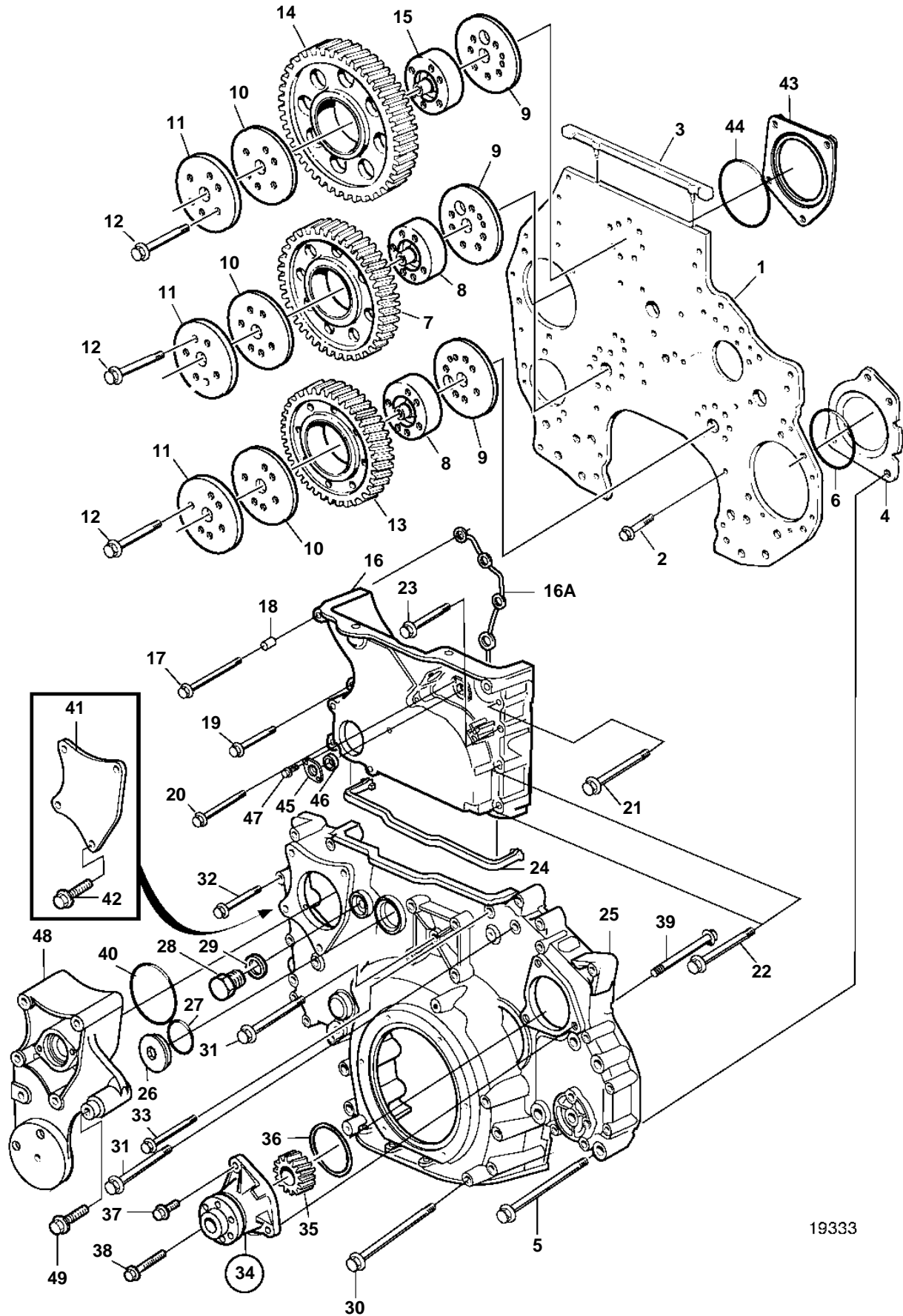


D12D-A MG



19333

## D12D-A MG

REF	PART NO.	QTY	DESCRIPTION		SEE SEC.	NOTES
1	8170561	1	Plate	SO		
2	471586	17	Screw			L=38mm
3	8170473	1	Seal			
4	3828662	1	Cover			For engines in with keel cooling.
5	946473	4	Flange screw			L=90mm. For cover 3828662.
6	949736	1	O-ring			
7	8170193	1	Idler gear			
8	8170219	2	Hub			
9	8170220	3	Thrust washer			
10	3184865	3	Thrust washer			
11	3184868	3	Bearing shield			
12	1547886	18	Screw			
13	8170195	1	Idler gear			
14	8170197	1	Idler gear			
15	8170199	1	Hub			
16	20512768	1	Timing gear casing			
16A	3830184	1	Seal			
17	968999	1	Screw			L=130mm
18	843075	1	Sleeve			
19	965182	3	Flange screw			L=80mm
20	965183	1	Flange screw			L=90mm
21	965190	1	Screw			L=100mm
22	947790	2	Flange screw			L=80mm
23	965223	1	Flange screw			L=75mm
24	8170452	1	Sealing strip			
25	3835799	1	Timing gear cover	SO		(3827152)
26	467367	1	· Plug			
27	469328	1	· Gasket			
28	960632	1	· Plug			
29	948884	1	· Washer			
30	973096	4	Flange screw			L=130mm
31	947790	2	Flange screw			L=80mm
32	965217	12	Flange screw			L=65mm
33	965183	1	Flange screw			L=90mm
34	8193986	1	Drive outlet			
					4338	
35		1	· Gear			
36	967344	1	O-ring			
37	946752	1	Flange screw			
38	965190	1	Screw			
39	3184837	1	Flange screw			For driving device. Mounted from the opposite side through the fuel pump.
40	948981	1	O-ring			
41	3827079	1	Cover			ALT
42	965197	4	Flange screw			
43	1556208	1	Cover			
44	948888	1	O-ring			
45	3964803	1	Plug			
46	421629	1	Sealing ring			
47	946440	2	Flange screw			
48	3826898	1	Bracket			
49	973967	4	Flange screw		4633	