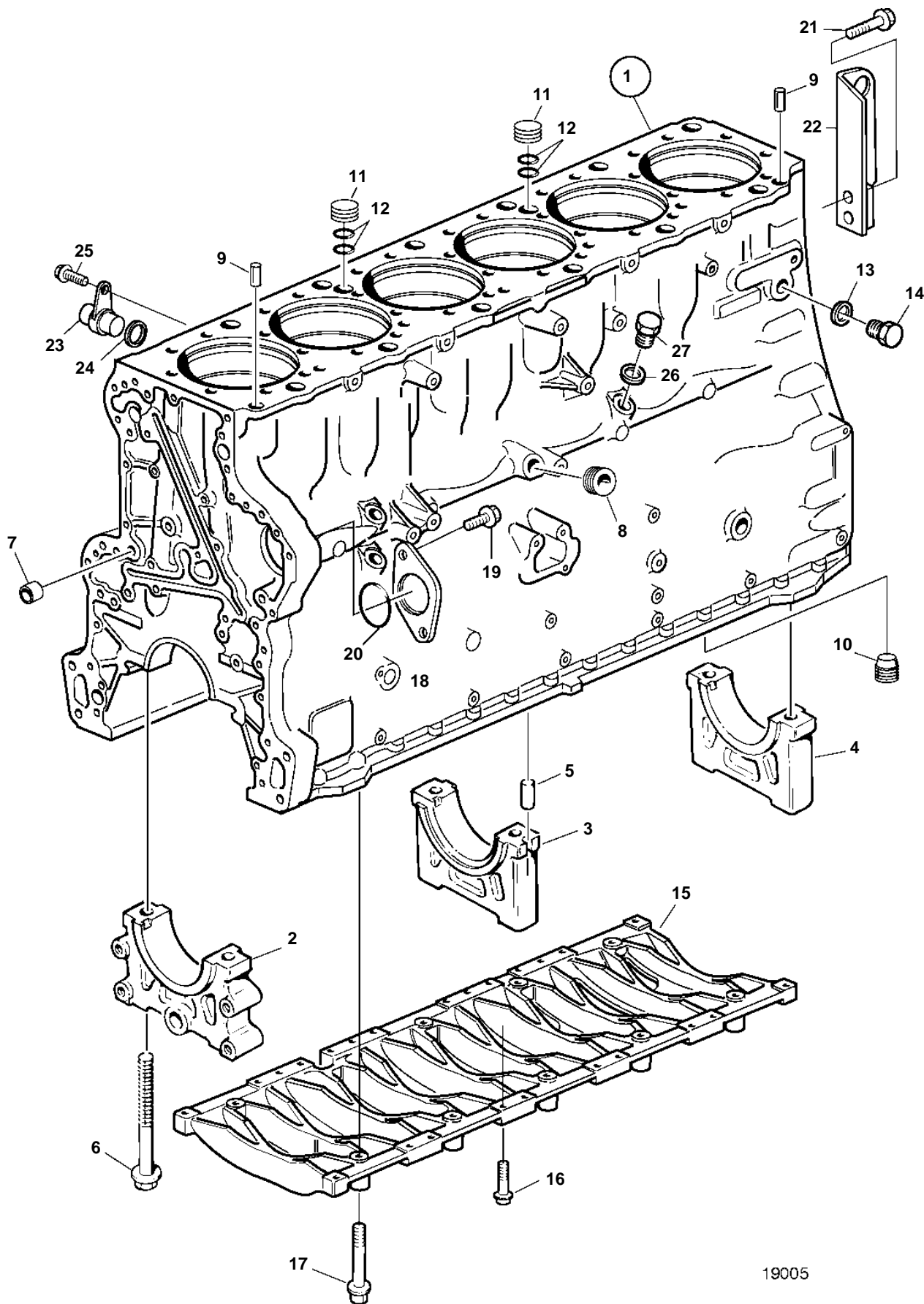


D12D-A MG



19005

D12D-A MG

REF	PART NO.	QTY	DESCRIPTION	NOTES
1	8170120	1	Cylinder block	REPL BY 8130120
	8130120	1	Cylinder block	
2		1	· Main bearing capfront	
3		5	· Main bearing cap	
4		1	· Main bearing caprear	
5	422426	1	· Pin	
6	1547040	14	· Screw	
7	981735	3	Cap plug	
8	981245	1	Plug	FOR 8170120
9	8170389	2	Guide sleeve	
10	8170666	1	Plug	
11	3165099	2	Plug	
12	976038	4	· O-ring	
13	18677	2	Gasket	
14	960634	2	Plug	
15	3183414	1	Frame	SO (8170117)
16	973523	20	Allen head screw	
17	965187	6	Screw	
18	3828400	1	Cover	
19	946441	2	Screw	
20	925095	1	O-ring	
21	975121	2	Flange screw	
22		1	Lifting eye	
23	1549140	1	Plug	
24	1547255	1	Sealing ring	
25	946173	1	Flange screw	
26	11996	3	Gasket	
27	960631	3	Plug	