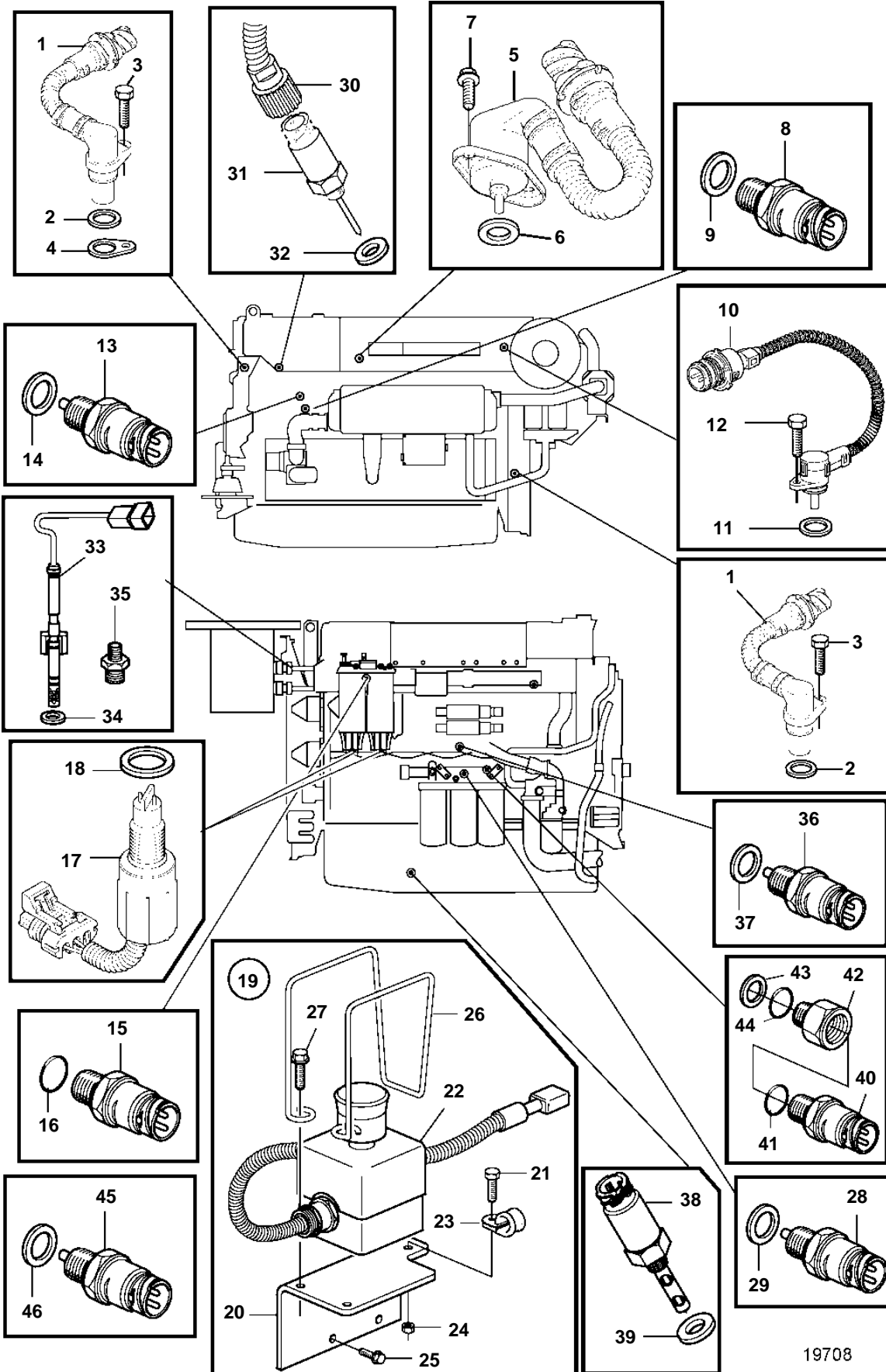


D12D-A MG



19708

D12D-A MG

REF	PART NO.	QTY	DESCRIPTION	NOTES
1	3172774	1	Tachometer sensor, camshaft/flywheel	
2	974673	1	O-ring	
3	940326	1	Screw	
4	1677894	1	Shim	TH=0,6mm
5	3172524	1	Sender, charge air pressure/temp	
6	975632	1	· O-ring	
7	946544	2	Flange screw	
8	20484676	1	Pressure sensor, crankcase pressure	0,4-1,4bar
9	968559	1	· O-ring	
10	3944123	1	Temperature sensor, coolant water	
11	949656	1	· O-ring	
12	946440	1	Flange screw	
13	1077574	1	Sender, oil pressure/temperature	
14	968559	1	· O-ring	
15	20484678	1	Pressure sensor, fuel	
16	968559	1	· O-ring	
17	874109	1	Sender, water in fuel filter	
18	3831094	1	O-ring	
19			Switch	
20	3836289	1	· Bracket	
21	946440	1	· Flange screw	
22	874409	1	· Switch	
23	942542	1	· Clamp	
24	945408	3	· Flange nut	
25	946441	2	· Screw	
26	3838198	1	Brace	
27	946173	2	Flange screw	
28	874673	1	Pressure monitor, piston cooling	
29	968559	1	O-ring	
30	874458	1	Cable kit	
31	874327	1	Level guard	SO
32	948884	1	Washer	
33	874330	1	Temperature sensor, exhaust	
34	947626	1	Gasket	
35	874318	1	Fitting	
36	874329	1	Pressure sensor, freshwater	
37	968559	1	O-ring	
38	874328	1	Level guard	SO
39	11998	1	Gasket	
40	20484678	1	Pressure sensor, oil pressure difference	
41	968559	1	O-ring	
42	3835956	1	Nipple	
43	947627	1	Gasket	
44	976030	1	O-ring	SO
45	874313	1	Sender, oil pressure-reverse gear	SO ALT
46	976931	1	Gasket	