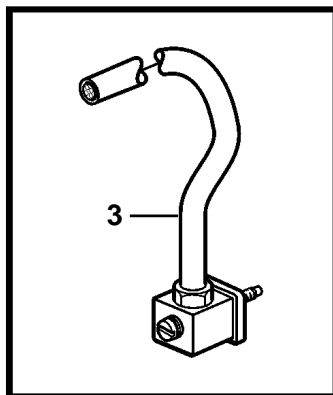
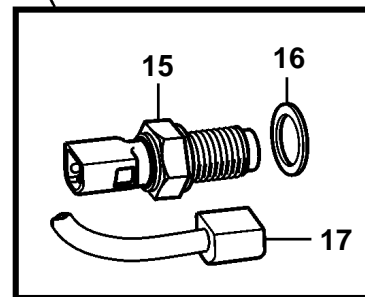
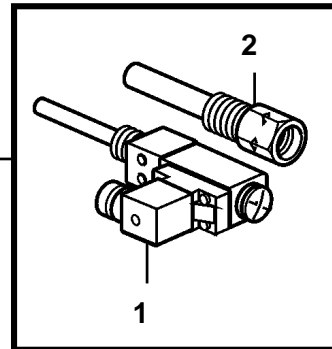
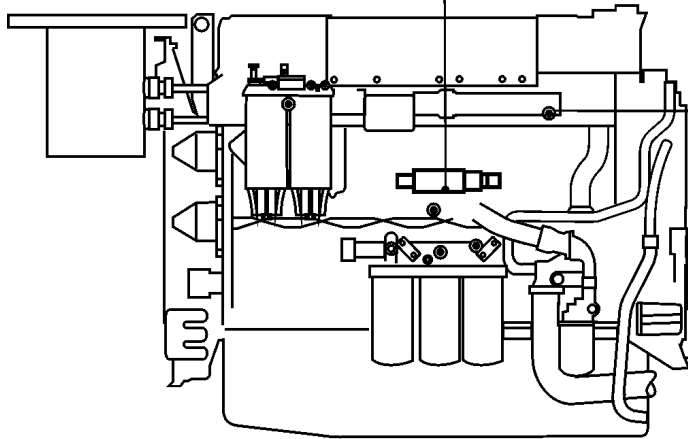
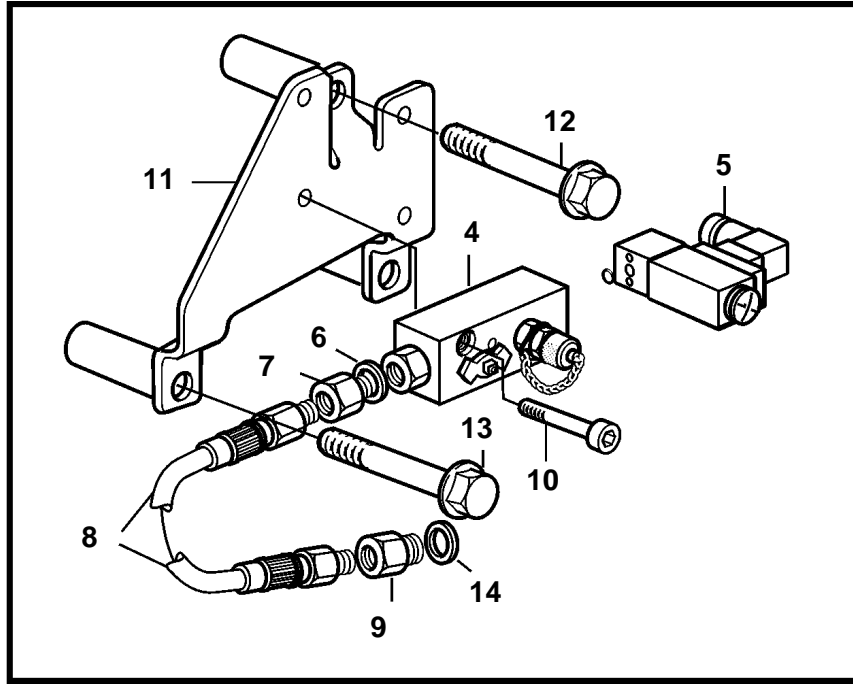


D12D-A MG



D12D-A MG

REF	PART NO.	QTY	DESCRIPTION		NOTES
1	881869	1	Thermo monitor, coolant water/oil temp.	SO	
2	873715	1	Sleeve		
3	881879	1	Wiring harness		Extension cable for sensors, shut down.
4	3831442	1	Block	SO	
5	881871	1	Pressure monitor, coolant water/oilpressure		0-4bar
6	18817	1	Gasket		
7	957030	1	Fitting		
8	3835281	1	Hose		
9	947899	1	Nipple		
10	947671	1	Allen head screw		
11	3832416	1	Bracket		
12	965217	1	Flange screw		L=65mm
13	965182	2	Flange screw		L=80mm
14	947084	1	Gasket		
15	862251	1	Tachometer sensor		
16	948884	1	Washer		
17	874796	1	Cable kit		