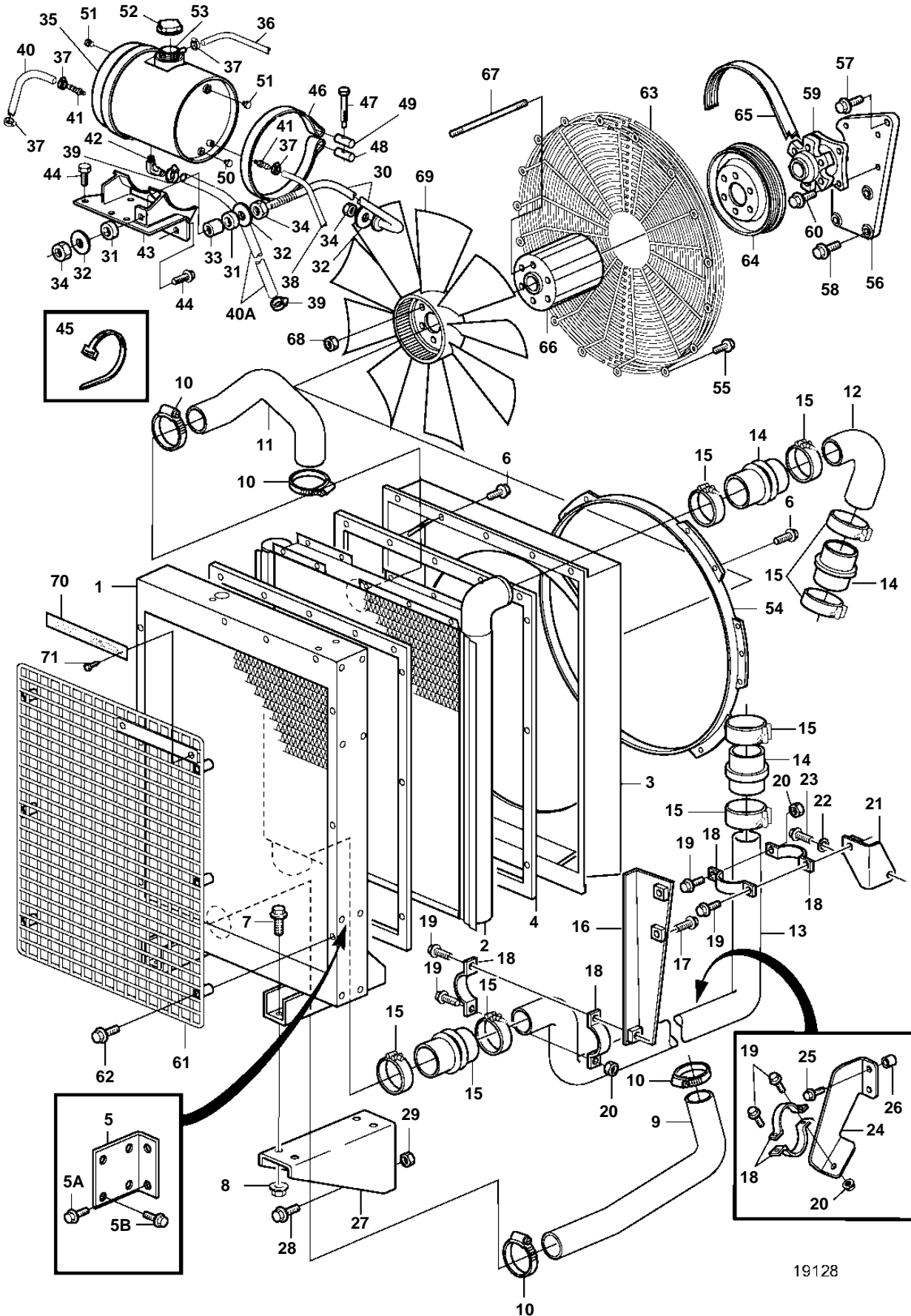


D12D-A MG



19128

D12D-A MG

REF	PART NO.	QTY	DESCRIPTION		NOTES
1	888301	1	Radiator		
2	3827870	1	Intercooler		
3	3826684	1	Fan shroud		
4	3827816	2	Sealing strip		
5	3831142	4	Anchorage	SO	
5A		4	Screw		
5B		8	Screw		
6	967949	20	Screw		
7	965191	8	Screw		
8	971099	8	Flange lock nut		
9	3827265	1	Radiator hose		
10	943480	4	Clamp		
11	3827266	1	Radiator hose		
12	3826673	1	Charge air pipe		
13	3838689	1	Charge air pipe		
14	865127	4	Hose		
15	865575	8	Hose clamp		
16	3835837	1	Bracket		
17	947760	2	Flange screw		
18	1674206	6	Cap		
19	946671	6	Flange screw		
20	945408	3	Flange nut		
21	3835507	1	Bracket		
22	941912	1	Spring washer		
23	955361	1	Screw		
24	3837781	1	Bracket		
25	946671	2	Flange screw		
26	843075	2	Sleeve		Used when oil collecting tray not is mounted.
27	3831478	2	Bracket		
28	968435	8	Flange screw		
29	946673	8	Flange lock nut		
30	3835253	1	Stay		
31	866857	2	Rubber bushing		
32	948556		Washer		
33	955793	3	Nut		
34	252202	1	Bushing		
35	3827367	1	Expansion tank		
36	192618	X	Hose		L=2300mm
37	943470	5	Hose clamp		
38	943367	X	Hose		L=850mm
39	943475	2	Hose clamp		
40	943367	X	Hose		L=700mm
40A	944386	X	Hose		L=500mm
41	942722	2	Nipple		
42	942649	1	Nipple		
43	3835107	1	Bracket	SO	
44	946471	4	Screw		
45	948211	X	Strip clamp		
46	339958	2	Tensioning band		
47	31406	2	Screw		
48	31405	2	Pin		
49	31404	2	Pin		
50	960632	1	Plug		
51	479979	2	Plug		
52	1674083	1	Pressure cap		
53	3828863	1	Rubber collar		
54	3827612	1	Fan ring		
55	946173	12	Flange screw		
56	3826687	1	Bracket		
57	973098	1	Flange screw		
58	965188	4	Screw		
59	3828804	4	Bearing housing		
60	946752	4	Flange screw		

D12D-A MG

REF	PART NO.	QTY	DESCRIPTION	NOTES
61	3827871	1	Radiator protector	
62	948217	6	Flange screw	
63	3825490	2	Fan protector	
64	3829958	1	Pulley	
65	981021	1	Drive belt	
66	3829536	1	Fan hub	
67	948932	6	Stud	
68	971098	6	Flange lock nut	
69	3828964	1	Fan	
70	846118	1	Emblem	
71	941651	2	Screw	