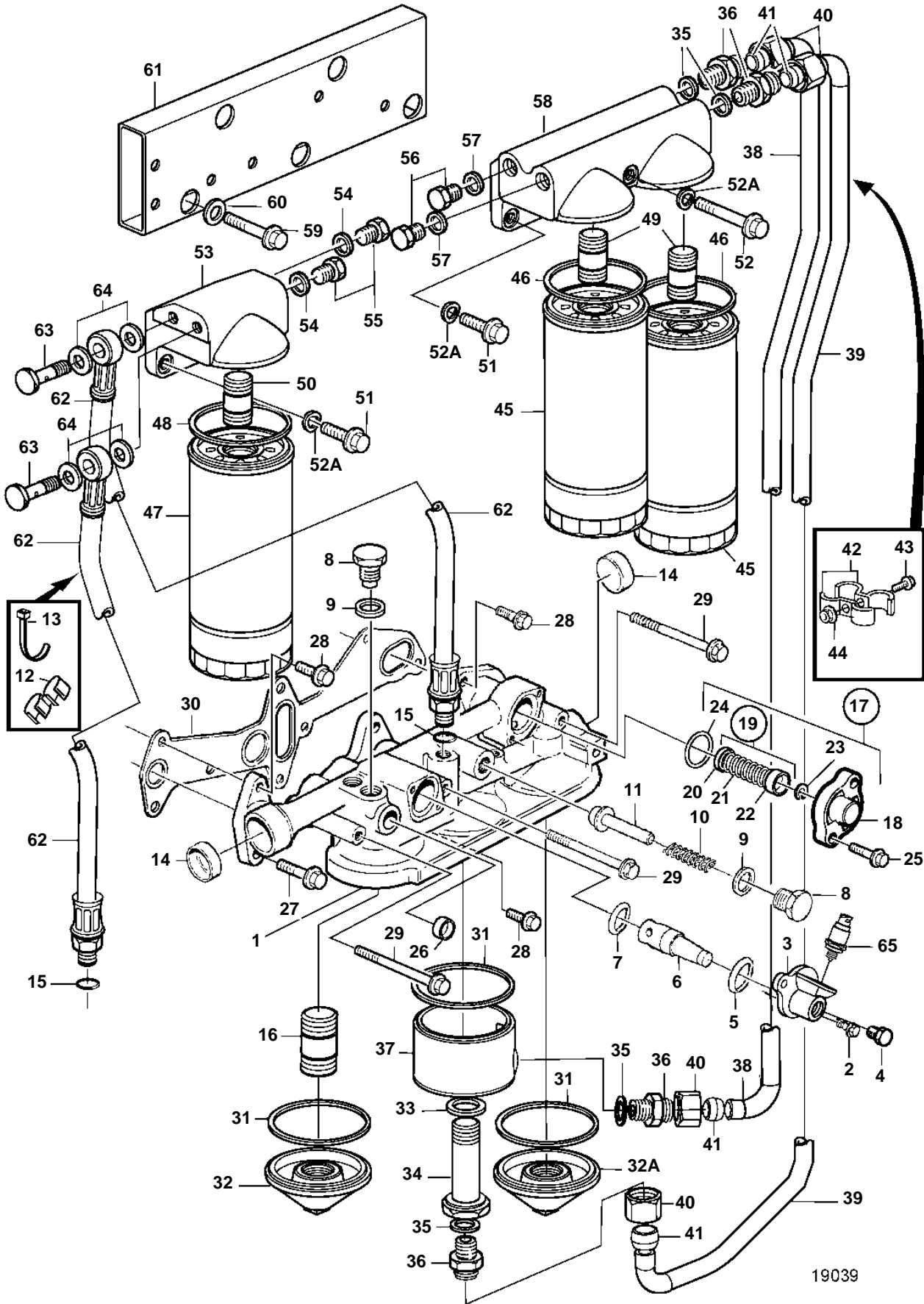


D12C-A MP, D12D-A MP, D12D-B MP, D12D-A MH, D12D-B MH



19039

D12C-A MP, D12D-A MP, D12D-B MP, D12D-A MH, D12D-B MH

REF	PART NO.	QTY	DESCRIPTION	SEE SEC.	NOTES
1	8170274	1	Oil filter housing		
2	946544	2	Flange screw		
3	3827980	1	Cover		
4	479979	1	Plug		
5	949659	1	O-ring		
6	471646	1	Reducing valve		(3830140)
7	469846	1	Sealing ring		
8	471598	2	Plug		
9	947627	2	Gasket		
10	3830138	1	Spring		
11	471085	1	Valve		
12	9205207	1	Retainer		
13	948211	1	Strip clamp		
14	948812	2	Cap plug		
15	976971	2	O-ring		
16	469904	1	Nipple		
17	3169689	1	Valve		
18		1	· Cover		
19		1	· Reducing valve		
20		1	· · Valve		
21		1	· · Spring		
22		1	· · Valve guide		
23	955964	1	· Snap ring		
24	949659	1	· O-ring		
25	947542	2	Screw		
26	946778	1	Cap plug		
27	947760	1	Flange screw		L=40mm. Used when oil filler is mounted on right side.
28	945444	5	Flange screw		L=25mm
29	969225	3	Flange screw		L=120mm
30	8170534	1	Gasket		
31	948981	3	O-ring		
32	3812509	1	Cover		(848431)
32A	3812511	1	Cover		(3828030)
33	944126	1	O-ring		
34	3827458	1	Nipple		
35	976932	4	Gasket		
36	982254	4	Nipple		
37	3827459	1	Cover		
38	3827412	1	Oil pipe		
39	3827413	1	Oil pipe		
40	956987	4	Fitting nut		
41	956973	4	Ferrule		
42	424204	4	Clamp		
43	947760	2	Flange screw		
44	948645	2	Lock nut		
45	478736	2	Oil filter		
46		2	· Gasket		
47	477556	1	Oil filter, by-pass		
48		1	· Gasket		
49	466623	2	Nipple		
50	469904	1	Nipple		
51	946472	4	Screw		L=30mm
52	969313	1	Flange screw		L=110mm
52A	941908	5	Spring washer		
53	11127104	1	Oil filter housing		
54	969011	2	Gasket		
55	960630	2	Plug		
56	960634	2	Plug		
57	947627	2	Gasket		
58	11031901	1	Oil filter housing		
59	981377	4	Flange screw		L=165mm
60	941908	4	Spring washer		
61	3827411	1	Bracket		

D12C-A MP, D12D-A MP, D12D-B MP, D12D-A MH, D12D-B MH

REF	PART NO.	QTY	DESCRIPTION	SEE SEC.	NOTES
62	3827414	2	Hose		
63	25167	2	Hollow screw		
64	969011	4	Gasket		
65		1	Senderoil pressure	4247	