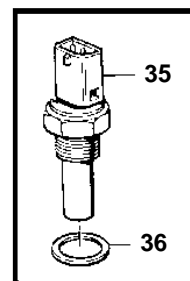
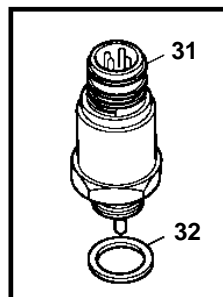
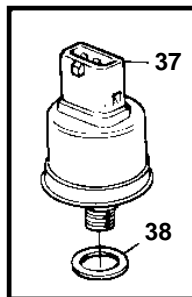
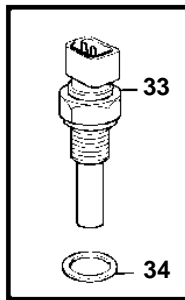
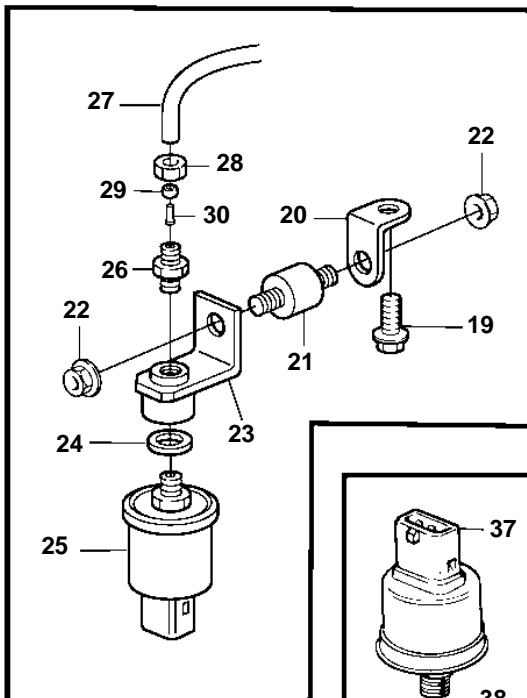
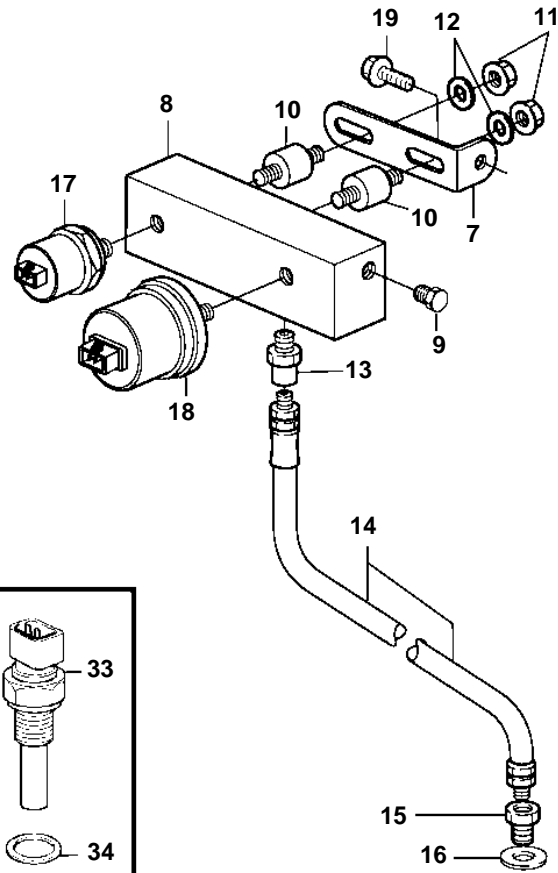
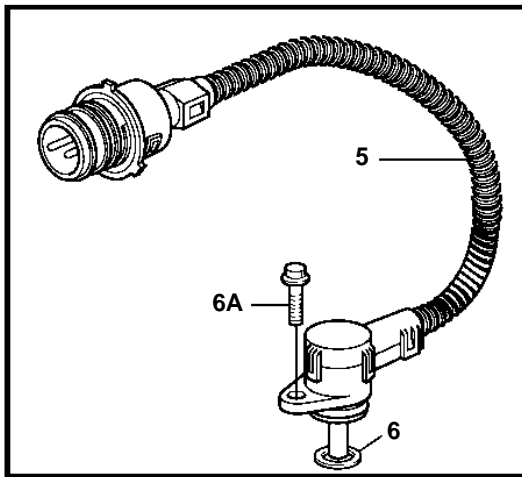
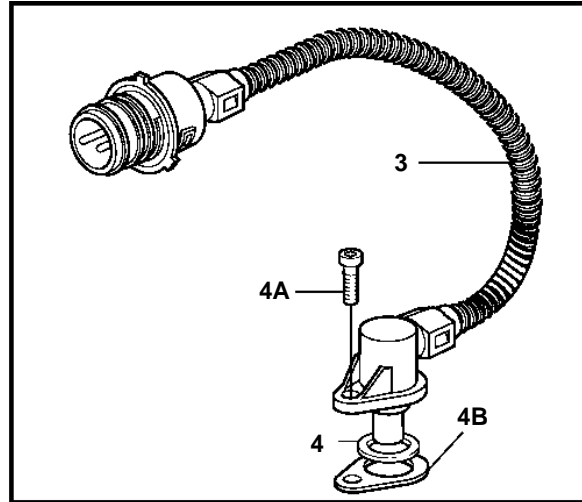
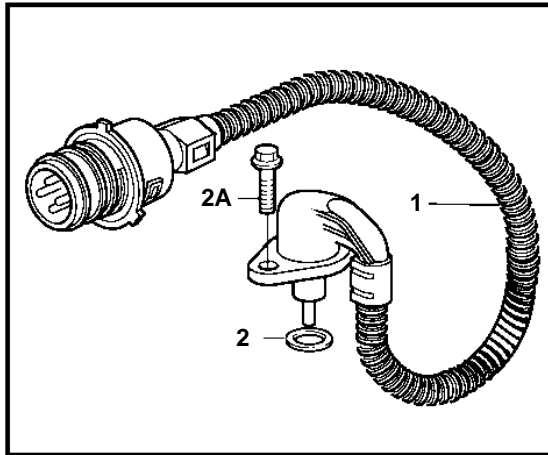


D12C-A MP, D12D-A MH



19747

D12C-A MP, D12D-A MH

REF	PART NO.	QTY	DESCRIPTION	NOTES
1	3172524	1	Sender	Charge air temp and pressure.. For electronic control unit.
2	975632	1	· O-ring	
2A	946544	2	Flange screw	
3	3172774	2	Tachometer sensor	Camshaft and Flywheel sender.. For electronic control unit.
4	974673	1	· O-ring	
4A	940326	2	Screw	
4B	1677894	1	Shim	TH = 0,6mm
5	20576626	1	Temperature sensor, coolant water	(3944123). For electronic control unit.
6	949656	1	· O-ring	
6A	946440	1	Flange screw	
7	965558	1	Bracket	
8	866704	1	Bracket	
9	479979	1	Plug	
10	3574797	2	Rubber cushion	
11	949278	2	Lock nut	
12	976943	2	Washer	
13	180009	1	Nipple	
14	1507501	1	Hose	
15	947899	1	Nipple	
16	947084	1	Gasket	
17	863169	1	Pressure monitor, oil-engine	
18	866835	1	Pressure sensor, oil-engine	
	866836	1	Pressure sensor, oil-engine	For double instruments.
19	946671	1	Flange screw	
20	965552	1	Bracket	
21	863415	1	Rubber cushion	
22	945408	1	Flange nut	
23	843698	1	Bracket	
24	947624	1	Gasket	
25	866837	1	Pressure sensor, turbo	
26	954378	2	Fitting	
27	945460	X	Plastic pipe	L=1200mm
28	954356	2	Cap nut	
29	954364	2	Fitting	
30	944717	2	Sleeve	
31	1077574	2	Sender	Pressure and temperature sender for engine oil and piston cooling.
32	968559	1	· O-ring	
33	862154	1	Temperature sensor, coolant water	
	862567	1	Temperature sensor, coolant water	For double instruments.
34	976931	1	Gasket	
35	862251	1	Tachometer sensor	
36	948884	1	Washer	
37	866839	1	Pressure sensor, oil pressure-reverse gear	
38	976931	1	Gasket	