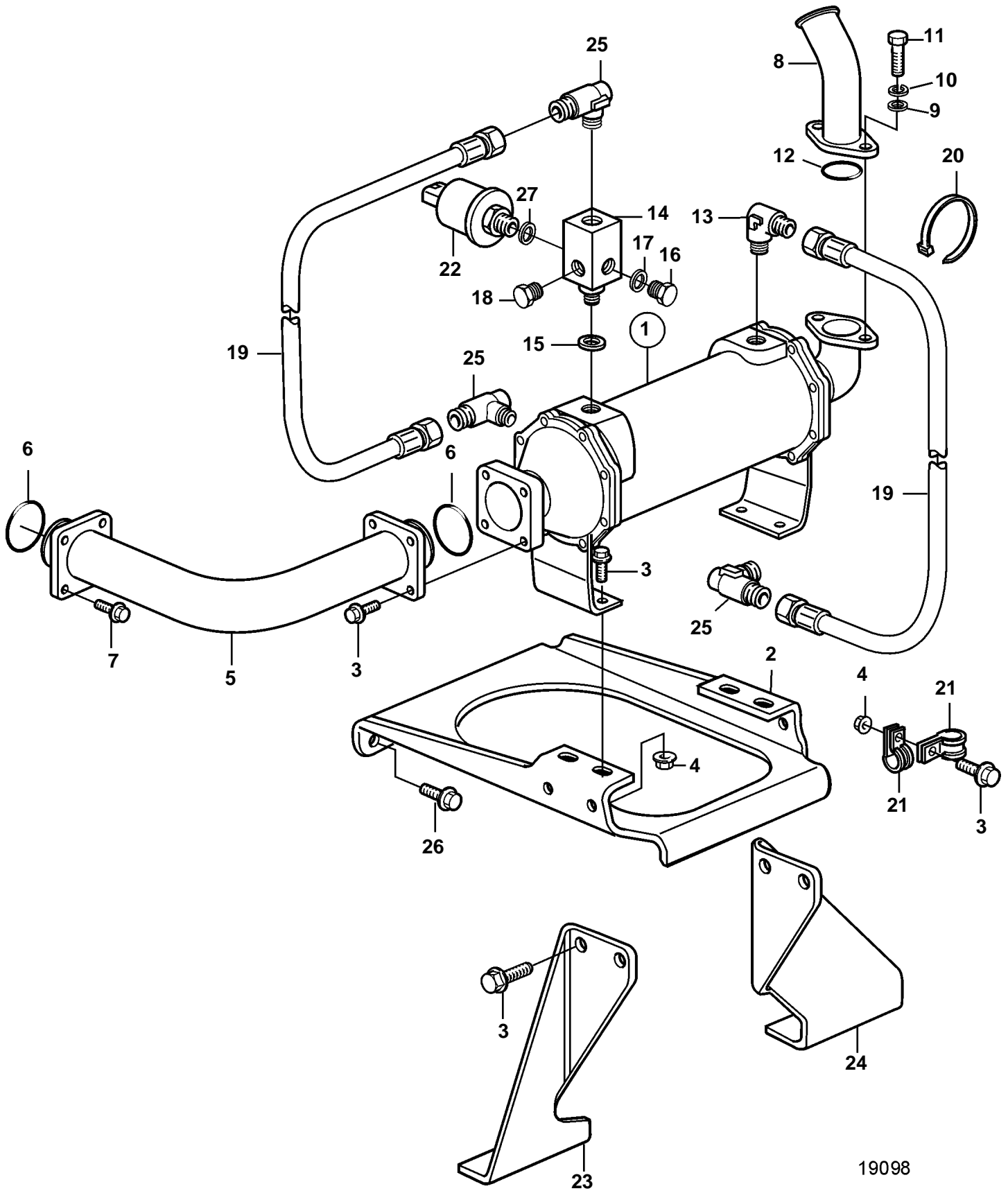


D12D-A MH, D12DB-A MH



D12D-A MH, D12DB-A MH

REF	PART NO.	QTY	DESCRIPTION	SEE SEC.	NOTES
1		1	Oil cooler	4377	
2	3830510	1	Bracket		
3	946173	13	Flange screw		
4	945408	5	Flange nut		
5	3830105	1	Tube		
6	843584	2	Sealing ring		
7	945444	4	Flange screw		M8x25mm
	947760	4	Flange screw		For engines in with keel cooling.
8	3828777	1	Outlet pipe		
9	191172	2	Washer		
10	941907	2	Spring washer		
11	940135	2	Screw		
12	925092	1	O-ring		
13	824479	1	Elbow union		
14	3834079	1	Nipple		
15	948885	1	Gasket		
16	960632	1	Plug		
17	976931	1	Gasket		
18	861551	2	Plug		
19	848351	2	Hose		
20	948211	1	Strip clamp		
21	952637	2	Clamp		
22		1	Pressure sensor		SEE GROUP 30
23	3837733	1	Bracket		P
24	3837734	1	Bracket		SB
25	837063	3	Elbow union		
26	965185	2	Flange screw		
27	948885	1	Gasket		