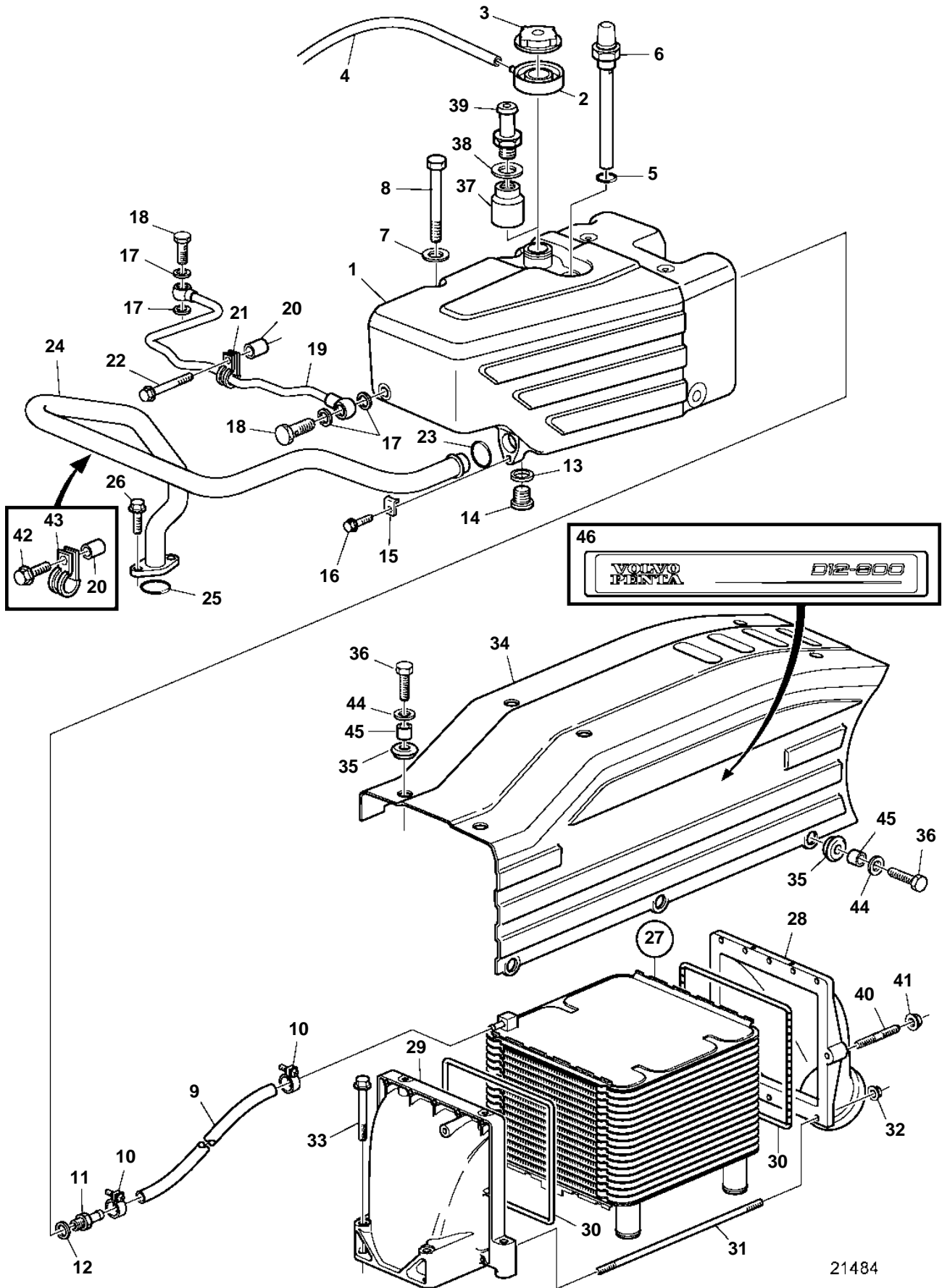


D12D-B MP



D12D-B MP

REF	PART NO.	QTY	DESCRIPTION	NOTES
1	865123	1	Expansion tank	
2	3828863	1	Rubber collar	
3	1674083	1	Pressure cap	
4	192618	X	Hose	L=1050mm
5	976932	1	Gasket	
6	3827766	1	Level indicator	
7	941907	4	Spring washer	
8	968999	4	Screw	
9	943366	X	Hose	L=300mm
10	961662	2	Clamp	
11	947502	1	Hose nipple	
12	947084	1	Gasket	
13	948884	1	Washer	
14	960632	1	Plug	
15	421654	1	Clamp	
16	946440	1	Flange screw	
17	947084	4	Gasket	
18	969299	2	Hollow screw	
19	3827549	1	Air vent pipe, therm. housing	
20	843075	2	Sleeve	
21	942400	1	Clamp	
22	968999	1	Screw	
23	471637	1	Sealing ring	
24	3587289	1	Coolant pipe, circulation pump	
25	862637	1	Gasket	
26	946173	2	Flange screw	
27	3809482	1	Intercooler	
28		1	· End plate	
29		1	· End plate	
30		2	· Gasket	
31	3812619	10	· Stud	
32	945407	10	· Flange nut	
33	965188	4	Screw	
34	3817729	1	Cover	
35	673989	9	· Rubber bushing	
36	946730	1	Screw	
37	3826167	1	Adapter	
38	836169	1	Gasket	
39	943268	1	Hose nipple	
40	980336	1	Stud	
41	945408	1	Flange nut	
42	945444	1	Flange screw	
43	947827	1	Clamp	
44	946730	9	Screw	
45	3830336	9	Spacer	
46	3841158	1	Decal	D12-800
	3835918	1	Decal	D12-715
	3830378	1	Decal	D12-675