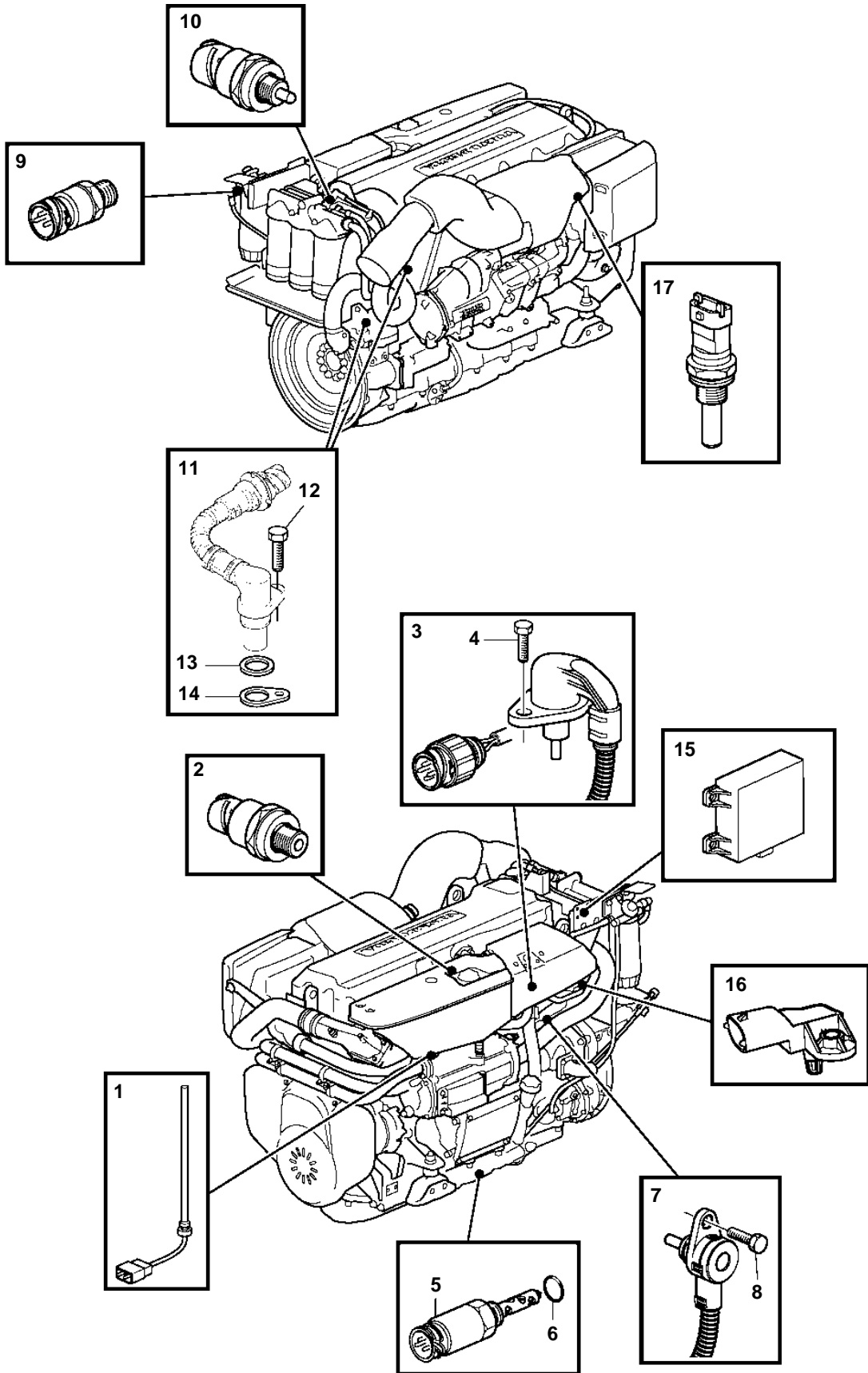


D11A-A



**D11A-A**

REF	PART NO.	QTY	DESCRIPTION	NOTES
1	3588990	1	Level sensor, expansion tank	
2	20796744	1	Pressure sensor	
3	20909613	1	Sensor, charge air pressure/temp	
4	946934	1	Flange screw	
5	874328	1	Level guard, oil	
6	11998	1	Gasket	
7	20576617	1	Sensor	
8	946440	1	Flange screw	
9	20524936	2	Pressure sensor, charge air pressure/temp	
10	1077574	2	Sensor, oil pressure/temperature	
11	20513343	2	Sensor	
12	940326	1	Hex. socket screw	
13	974673	1	O-ring	
14	1677894	X	Shim	
15	3842462	1	Voltage converter	12V
16	20524936	1	Pressure sensor	
17	20513340	1	Sensor	