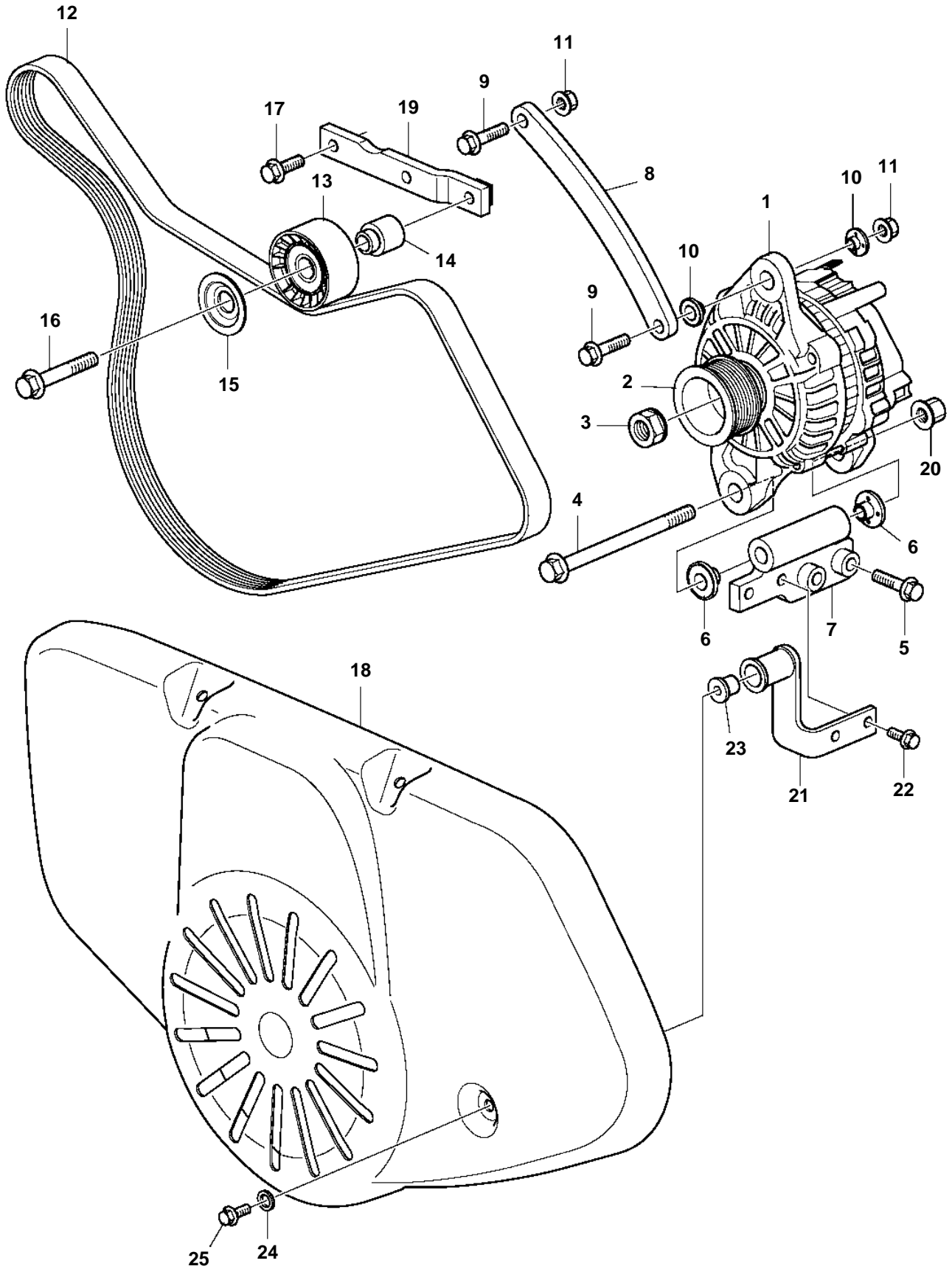


D11A-A, D11A-B, D11A-C



D11A-A, D11A-B, D11A-C

REF	PART NO.	QTY	DESCRIPTION	SEE SEC.	NOTES
1	3803846	1	Alternator, exch		14V 115A
				8811	
	3803845	1	Alternator, exch		28V 80A
				8811	
2		1	• Pulley		
3		1	• Nut		
4	979935	1	Flange screw		
5	965185	2	Flange screw		
6	3589388	2	Insulating bushing		
7	3595216	1	Alternator anchorage		
8	3594067	1	Alternator bracket		
9	973924	2	Flange screw, belt tensioner		
10	3589369	2	Insulating bushing		
11	930762	1	Expanding nut		
12	990422	1	V-ribbed belt		
13	3887305	1	Idler pulley		
14	3818176	1	Hub		
15	3809563	1	Cardboard tube		
16	965195	1	Flange screw		
17	946329	2	Flange screw		
18	3818370	1	Belt protector		
19	3818174	1	Bracket		
20	979230	1	Flange nut		
21	3818185	1	Bracket		
22	946173	2	Flange screw		
23	930762	1	Expanding nut, expander		
24	976944	1	Washer		
25	945444	1	Flange screw		