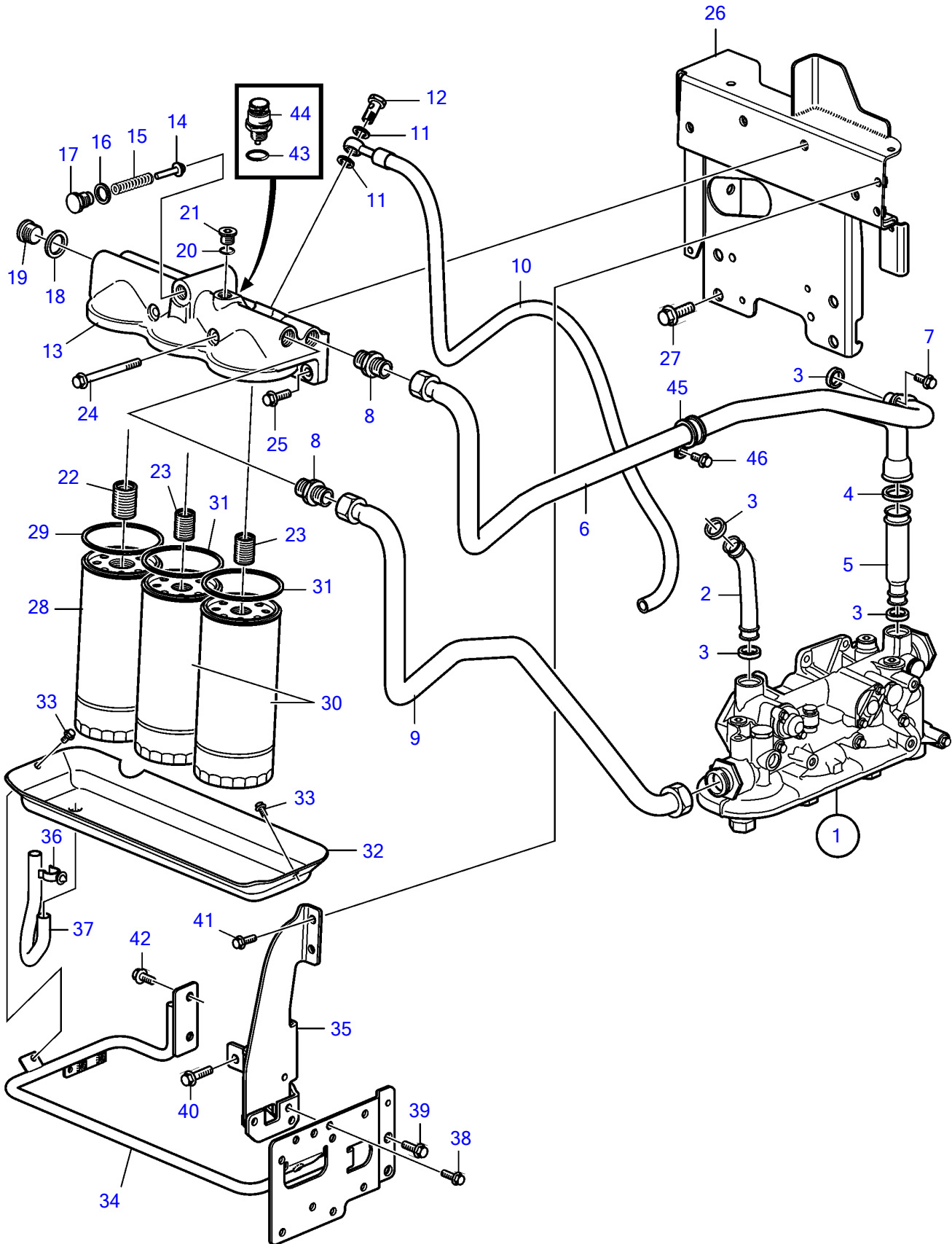


D11A-A, D11A-B, D11A-C, D11A-D



D11A-A, D11A-B, D11A-C, D11A-D

| REF | PART NO. | QTY | DESCRIPTION | SEE SEC. | NOTES |
|-----|----------|-----|----------------------------------|----------|--------------------|
| 1 | 3886539 | 1 | Oil filter housing | | |
| | | | • | 21996 | |
| 2 | 20951337 | 1 | Pipe | | |
| 3 | 471626 | 3 | Sealing ring | | |
| 4 | 1543578 | 1 | Sealing ring | | |
| 5 | 21114916 | 1 | Oil line | | |
| 6 | 3885721 | 1 | Oil line | | |
| 7 | 946173 | 2 | Flange screw | | |
| 8 | 984802 | 2 | Nipple | | |
| 9 | 3885725 | 1 | Oil line | | |
| 10 | 3883438 | 1 | Oil hose | | |
| 11 | 982723 | 2 | Gasket | | |
| 12 | 25167 | 1 | Hollow screw | | |
| 13 | 11127988 | 1 | Oil filter housing | | |
| 14 | 471085 | 1 | • Valve cone | | |
| 15 | 466653 | 1 | • Compression spring | | |
| 16 | 976932 | 1 | • Gasket | | |
| 17 | 471598 | 1 | • Plug | | |
| 18 | | 1 | • Gasket | | |
| 19 | | 1 | • Plug | | |
| 20 | | 1 | • Gasket | | |
| 21 | | 1 | • Plug | | |
| 22 | 469904 | 1 | • Nipple | | |
| 23 | 466623 | 2 | • Nipple | | |
| 24 | 969313 | 2 | Flange screw | | |
| 25 | 946472 | 2 | Flange screw | | |
| 26 | 21131317 | 1 | Bracket | | |
| 27 | 966356 | 4 | Flange screw | | |
| 28 | 477556 | 1 | Oil filter | | |
| 29 | | 1 | • Gasket | | |
| 30 | 478736 | 2 | Oil filter | | |
| 31 | | 2 | • Gasket | | |
| 32 | 3595397 | 1 | Spill plate | | |
| 33 | 967949 | 2 | Flange screw | | |
| 34 | 3887397 | 1 | Bracket | | Earlier production |
| 35 | 3817750 | 1 | Bracket | | |
| 36 | 9135343 | 1 | Retainer | | |
| 37 | 941507 | X | Hose | | L=300mm |
| 38 | 945444 | 2 | Flange screw | | |
| 39 | 946472 | 2 | Flange screw | | |
| 40 | 965186 | 2 | Flange screw | | |
| 41 | 946440 | 2 | Flange screw | | |
| 42 | 946441 | 2 | Flange screw | | |
| 43 | 968559 | 1 | O-ring | | |
| 44 | 1077574 | 1 | Sensor, oil pressure/temperature | | |
| 45 | 943717 | 1 | Clamp | | |
| 46 | 947107 | 1 | Flange screw | | |