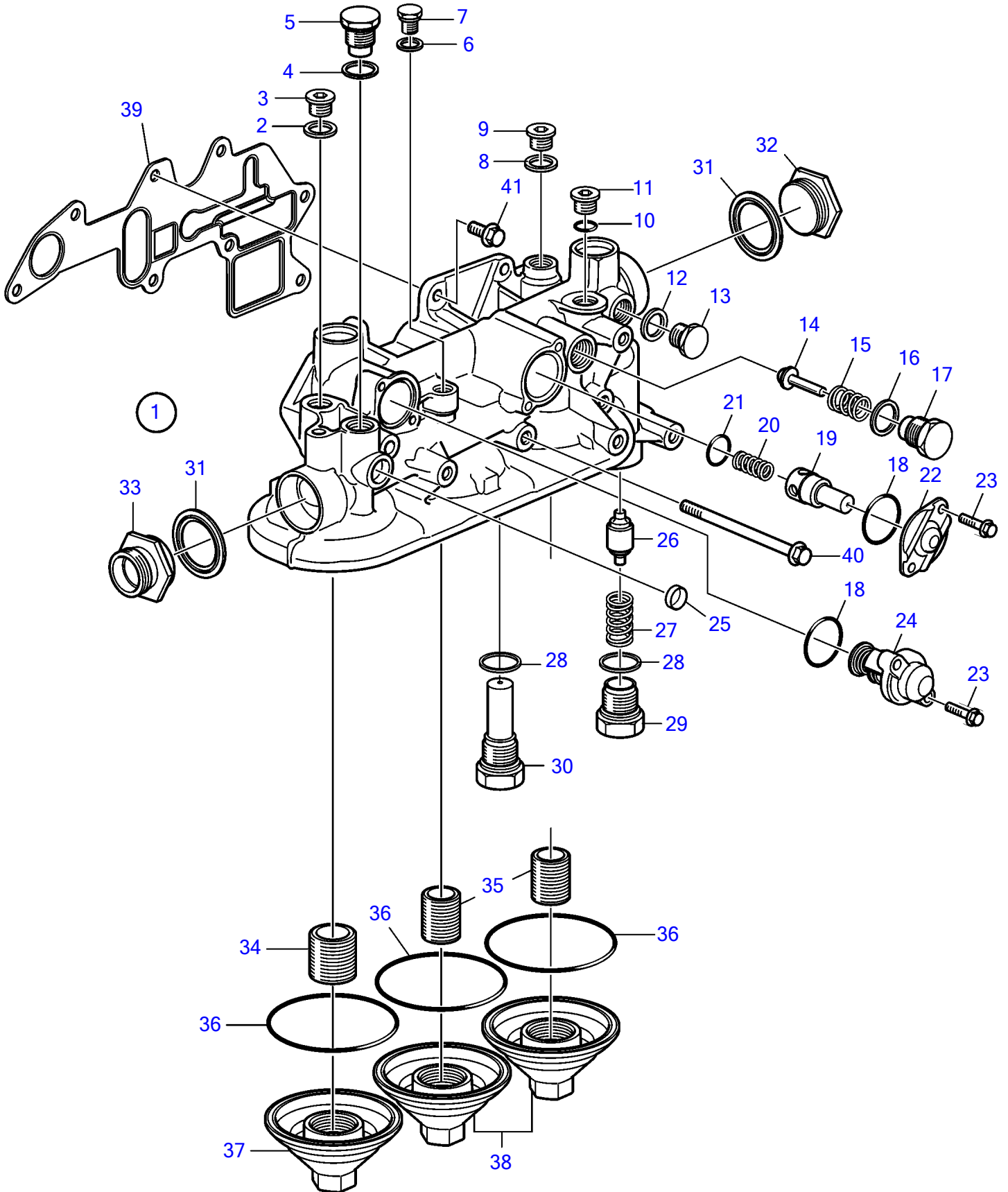


D11A-A, D11A-B, D11A-C, D11A-D



D11A-A, D11A-B, D11A-C, D11A-D

| REF | PART NO. | QTY | DESCRIPTION | NOTES |
|-----|----------|-----|------------------------------|---------------|
| 1 | 3886539 | 1 | Oil filter housing | |
| 2 | 11998 | 1 | • Gasket | |
| 3 | (966144) | 1 | • Plug | Obsolete part |
| 4 | 947627 | 1 | • Gasket | |
| 5 | 471598 | 1 | • Plug | |
| 6 | 11994 | 1 | • Gasket | |
| 7 | 960629 | 1 | • Plug | |
| 8 | 947622 | 1 | • Gasket | |
| 9 | 966143 | 1 | • Plug | |
| 10 | 968559 | 1 | • O-ring | |
| 11 | 968609 | 1 | • Plug | |
| 12 | 11998 | 1 | • Gasket | |
| 13 | 960632 | 1 | • Plug | |
| 14 | 471085 | 1 | • Valve cone, overflow valve | |
| 15 | 20581560 | 1 | • Compression spring | |
| 16 | 947627 | 1 | • Gasket | |
| 17 | 471598 | 1 | • Plug | |
| 18 | 949659 | 2 | • O-ring | |
| 19 | 471812 | 1 | • Reduction valve | |
| 20 | | 1 | • • Spring | |
| 21 | 469846 | 1 | • Sealing ring | |
| 22 | 471648 | 1 | • Cover | |
| 23 | 947542 | 4 | • Flange screw | |
| 24 | 20903074 | 1 | • Thermostat | |
| 25 | 946778 | 1 | • Cap plug | |
| 26 | 20440779 | 1 | • Valve cone, piston cooling | |
| 27 | 20464676 | 1 | • Spring | |
| 28 | 947629 | 2 | • Gasket | |
| 29 | 3587204 | 1 | • Plug | |
| 30 | | 1 | • Plug | |
| 31 | 982510 | 2 | • Gasket | |
| 32 | 3588439 | 1 | • Plug | |
| 33 | | 1 | • Nipple | |
| 34 | 469904 | 1 | • Nipple | |
| 35 | 466623 | 2 | • Nipple | |
| 36 | 948981 | 3 | O-ring | |
| 37 | 3812511 | 2 | Cover | |
| 38 | 21137476 | 1 | Cover | |
| 39 | 20882218 | 1 | Gasket | |
| 40 | 969225 | 4 | Flange screw | |
| 41 | 946173 | 4 | Flange screw | |