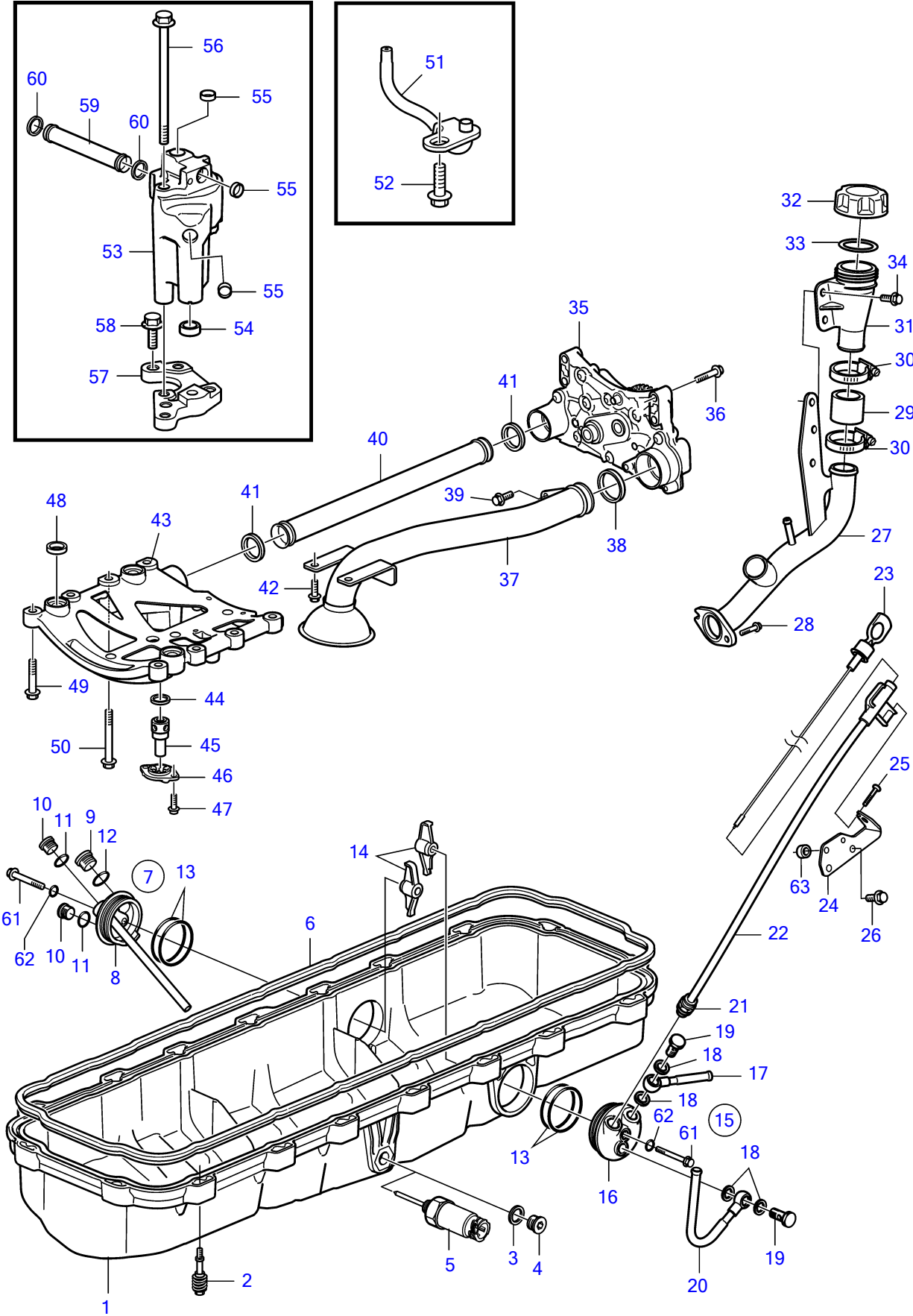


D11A-C, D11A-D



## D11A-C, D11A-D

REF	PART NO.	QTY	DESCRIPTION	SEE SEC.	NOTES
1	3808491	1	Oil pan		
2	20739547	18	Flange screw		
3	11998	1	Gasket		
4	(966144)	1	Plug		Obsolete part
5		1	Level sensor	22014	
6	20812484	1	Sealing strip		
7	21152129	1	Cover flange		
8			• Cover		
9	966143	1	• Plug		
10	945065	2	• Plug		
11	982723	2	• Gasket		
12	982724	1	• Gasket		
13	967343	4	O-ring		
14	3812221	2	Wing nut		
15	21442157	1	Cover flange		
16		1	• Cover		
17		1	• Oil pipe		
18	982723	4	• Gasket		
19	25167	2	• Hollow screw		
20		1	• Oil pipe		
21		1	• Nipple		
22	21442388	1	Pipe		
23	21186628	1	Oil dipstick		
24	21277902	1	Bracket		
25	975371	1	6 point socket screw		
26	946173	2	Flange screw		
27	21275561	1	Oil filler pipe		
28	945444	2	Flange screw		
29	21278364	1	Hose		
30	993964	2	Hose clamp		
31	20808091	1	Oil filler pipe		
32	20807510	1	• Oil filler cap		
33	20365079	1	• • Gasket		
34	946440	2	Flange screw		
35	20570573	1	Oil pump details not spec.		
36	947760	4	Flange screw		
37	3883823	1	Oil strainer		
38	20570444	1	Sealing ring		
39	949853	1	Flange screw		
40	20563450	1	Pressure pipe		
41	20570449	2	Sealing ring		
42	946173	1	Flange screw		
43	21125138	1	Valve housing		
44	469846	1	• Sealing ring		
45	3826265	1	• Reduction valve		
46	471648	1	• Cover		
47	946544	2	• Flange screw		
48	21092243	3	• Sealing ring		
49	965186	6	Flange screw		
50	947790	2	Flange screw		
51	21389857	6	Piston cooling jet		
52	966378	6	Flange screw		
53	20540340	1	Intermediate housing		
54	20526428	1	Sealing ring		
55	955082	3	Cap plug		
56	969225	2	Flange screw		
57	20862692	1	Adapter		
58	946173	3	Flange screw		
59	20951326	1	Connection pipe		
60	1677370	2	Sealing ring		
61	948871	1	Spacer washer		
62	990058	2	O-ring		

7749110-22-35958

25166

Upd:2012-02-28

D11A-C, D11A-D

REF	PART NO.	QTY	DESCRIPTION	SEE SEC.	NOTES
63	946440	2	Flange screw		