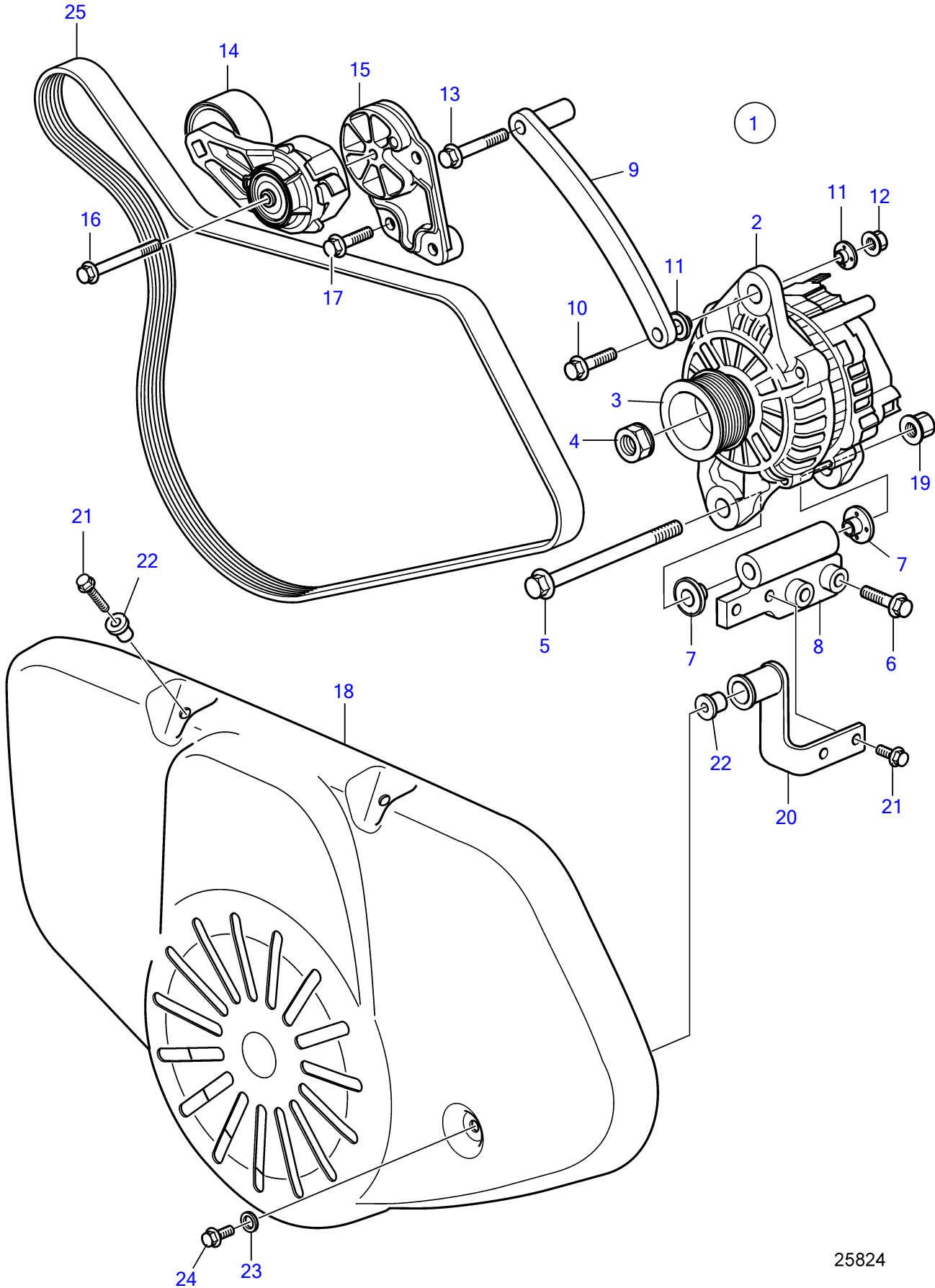


D11A-A, D11A-B, D11A-C, D11A-D



25824

D11A-A, D11A-B, D11A-C, D11A-D

REF	PART NO.	QTY	DESCRIPTION	SEE SEC.	NOTES
1	3803846	1	Alternator, exch		14V 115A, Replaced by 3587216
			.	8811	
	3587216	1	Alternator		
	3803846	1	Alternator, exch, exch		
	3803845	1	Alternator, exch		28V 80A, Replaced by 3587218
			.	8811	
	3587218	1	Alternator		
	3803845	1	Alternator, exch, exch		
2		1	Alternator		
3		1	Pulley		
4		1	Nut		
5	979935	1	Flange screw		
6	965185	2	Flange screw		
7	21308514	2	Insulating bushing		
8	3595216	1	Alternator anchorage		
9	3888841	1	Bracket		
10	965186	2	Flange screw, belt tensioner		
11	21328137	2	Insulating bushing		
12	971098	1	Flange lock nut		
13	965222	1	Flange screw		
14	21153420	1	Belt tensioner		
15	3849931	1	Bracket		
16	947790	1	Flange screw		
17	946472	2	Flange screw		
18	3847962	1	Belt protector		
19	977938	1	Flange lock nut		
20	3818185	1	Bracket		
21	946173	4	Flange screw		
22	930762	3	Expanding nut, expander		
23	976944	1	Washer		
24	945444	1	Flange screw		
25	21354715	1	V-ribbed belt		