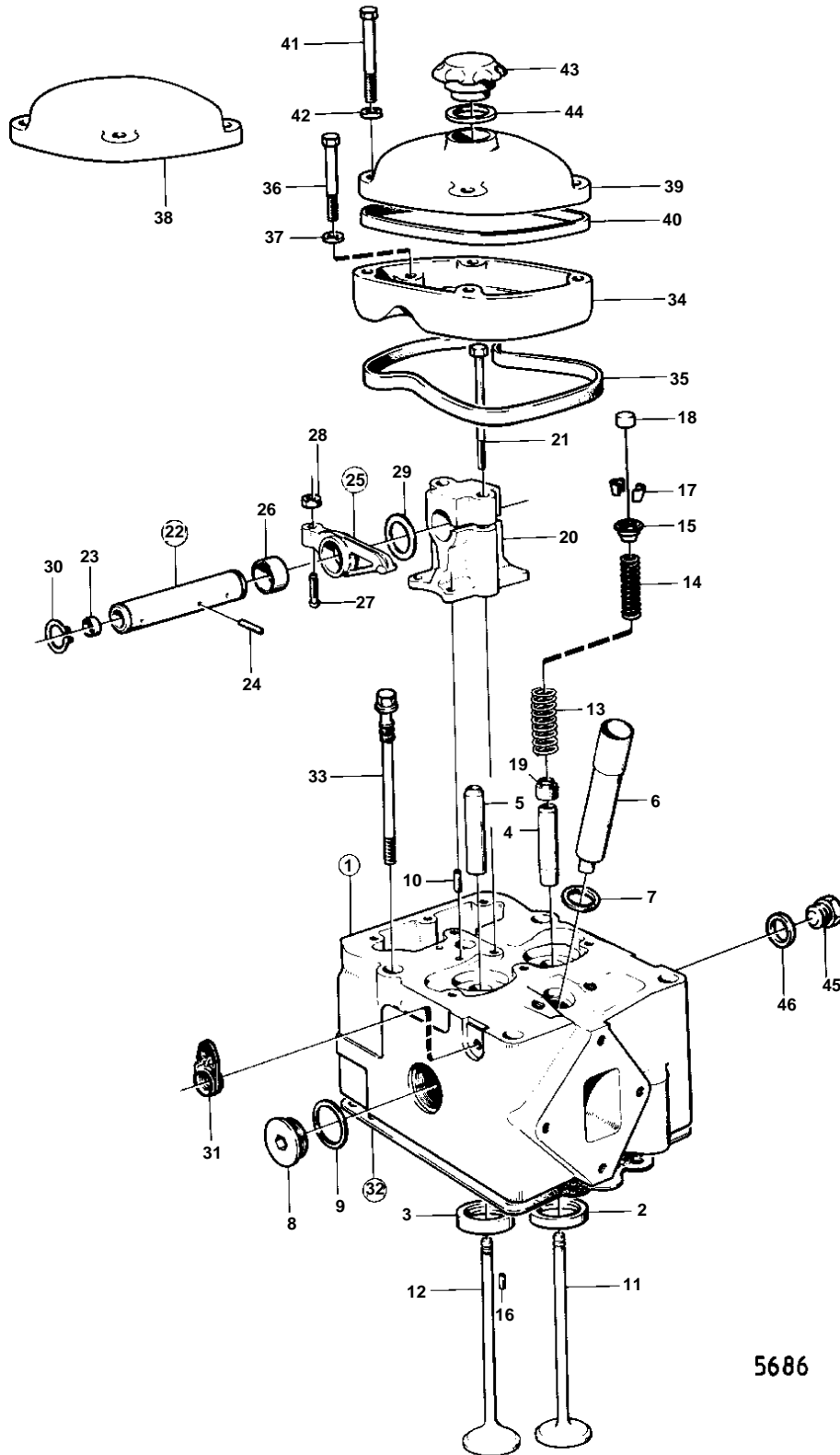


D100BHC,D100BRC



5686

D100BHC,D100BRC

REF	PART NO.	QTY	DESCRIPTION	NOTES
1	467832	6	Cylinder head	
	3803038	6	Cylinder head, exch	Exchange unit
2	467474	6	· Valve seat, INTAKE	STD D
	467590	6	· Valve seat, INTAKE	0,20MM O.S
3	467475	6	· Valve seat, EXHAUST	STD D
	467591	6	· Valve seat, EXHAUST	0,20MM O.S
4	467029	6	· Valve guide, INTAKE	
5	1545135	6	· Valve guide, EXHAUST	(421297)
6	467417	6	· Spray sleeve	
7	469205	6	· O-ring	IK
8	467365	12	· Plug	(467714)
9	468461	12	· Gasket	
10	950543	12	· Pin	
11	467861	6	Inlet valve	
12	467682	6	Exhaust valve	
13	467334	12	Valve spring	
14	467335	12	Valve spring	
15	467506	12	Washer	
16	950543	12	Pin	
17	468305	24	Valve collet	
18	469365	12	Valve cap	(417133)
19	837626	6	Seal	IK
20	422018	6	Bearing bracket	
21	422428	12	Screw	
22	422019	6	Shaft	
23	946778	12	· Cap plug	
24	950499	6	· Pin	
25	422063	12	Rocker arm	
26	422066	12	· Bushing	
27	423058	12	· Ball stud	
28	940175	12	· Nut	
29	941488	12	Washer	
30	914459	12	Lock ring	
31	423139	6	Seal	IK
32	275551	6	Gasket kit	
	422415	12	· Sealing ring	IK D = 18 MM
	422414	12	· Sealing ring	IK D = 32 MM
	422413	6	· Sealing ring	IK D = 11 MM
33	467918	24	Flange screw	(422086)
34	423142	6	Cover, LOWER	
35	423145	6	Gasket	IK
36	940159	12	Screw	
37	955894	12	Washer	
38	423143	5	Cover, upper, UPPER	
39	423144	1	Cover	
40	423146	6	Gasket	IK
41	955530	24	Screw	
42	942580	24	Gasket	IK
43	420292	1	Oil filler cap	
44	940096	1	Gasket	IK
45	941876	1	Plug	
46	18666	1	Gasket	IK