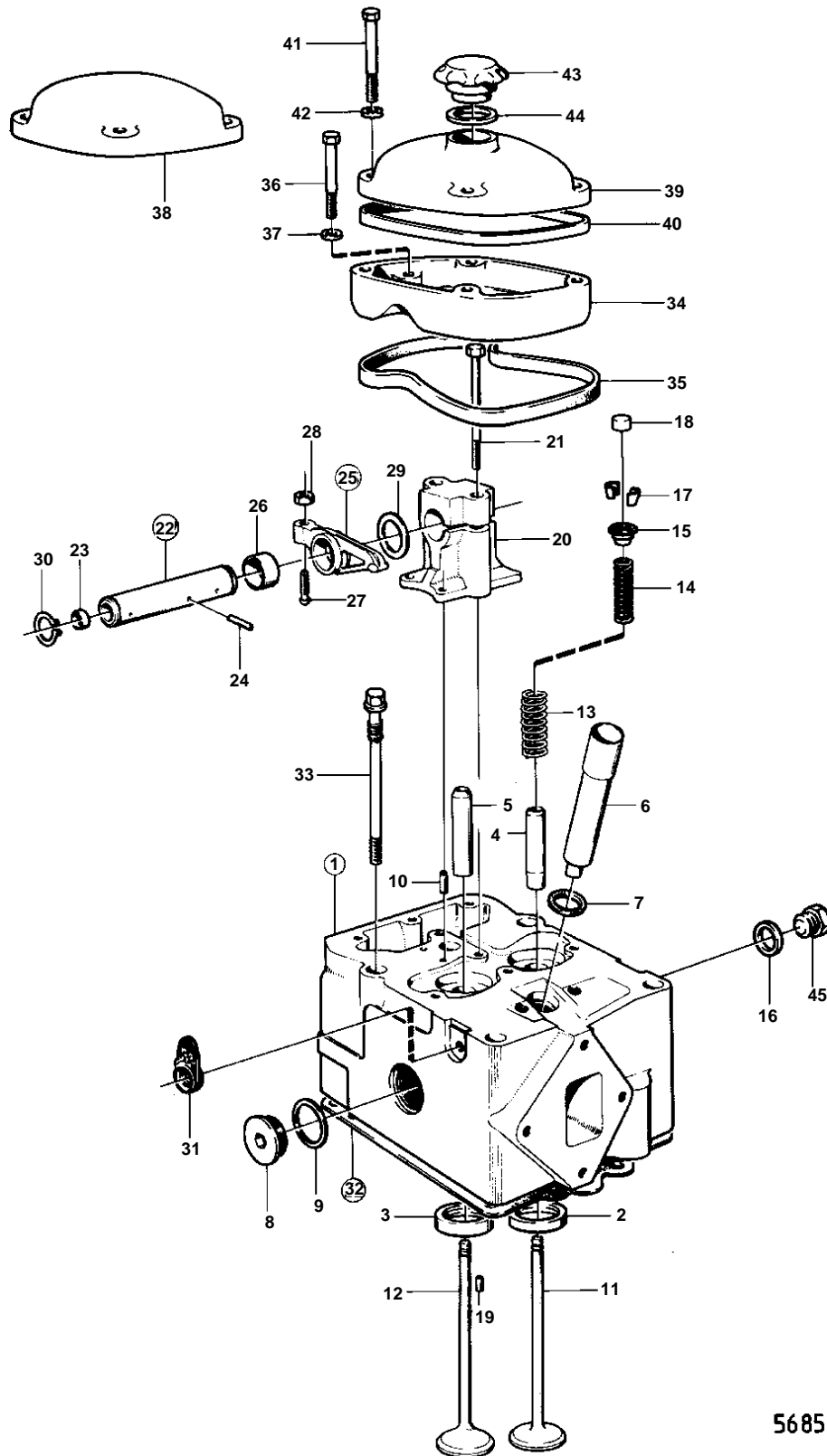


TD100AHC,TD100ARC



5685

TD100AHC,TD100ARC

REF	PART NO.	QTY	DESCRIPTION	NOTES
1	467712	6	Cylinder head	
	3803037	6	Cylinder head, exch	Exchange unit
2	467474	6	· Valve seat, INTAKE	STD D
	467590	6	· Valve seat, INTAKE	0,20MM O.S
3	467475	6	· Valve seat, EXHAUST	STD D
	467591	6	· Valve seat, EXHAUST	0,20MM O.S
4	422320	6	· Valve guide, INTAKE	
5	1545135	6	· Valve guide, EXHAUST	(421297)
6	467417	6	· Spray sleeve	
7	469205	6	· O-ring	IK
8	467365	12	· Plug	(467714)
9	468461	12	· Gasket	IK
10	950543	12	· Pin	
11	1545290	6	Inlet valve	
12	467682	6	Exhaust valve	
13	467334	12	Valve spring	
14	467335	12	Valve spring	
15	467506	12	Washer	
16	18666	1	Gasket	IK
17	468305	24	Valve collet	
18	469365	12	Valve cap	(417133)
19	950543	12	Pin	
20	422018	6	Bearing bracket	
21	422428	12	Screw	
22	422019	6	Shaft	
23	946778	12	· Cap plug	
24	950499	6	· Pin	
25	422063	12	Rocker arm	
26	422066	12	· Bushing	
27	423058	12	· Ball stud	
28	940175	12	· Nut	
29	941488	12	Washer	
30	914459	12	Lock ring	
31	423139	6	Seal	IK
32	275551	6	Gasket kit	
	422415	12	· Sealing ring	IK D = 18 MM
	422414	12	· Sealing ring	IK D = 32 MM
	422413	6	· Sealing ring	IK D = 11 MM
33	467918	24	Flange screw	(422086)
34	423142	6	Cover, LOWER	
35	423145	6	Gasket	IK
36	940159	12	Screw	
37	955894	12	Washer	
38	423143	5	Cover, upper, UPPER	
39	423144	1	Cover	
40	423146	6	Gasket	IK
41	955530	24	Screw	
42	942580	24	Gasket	IK
43	420292	1	Oil filler cap	
44	940096	1	Gasket	IK
45	941876	1	Plug	