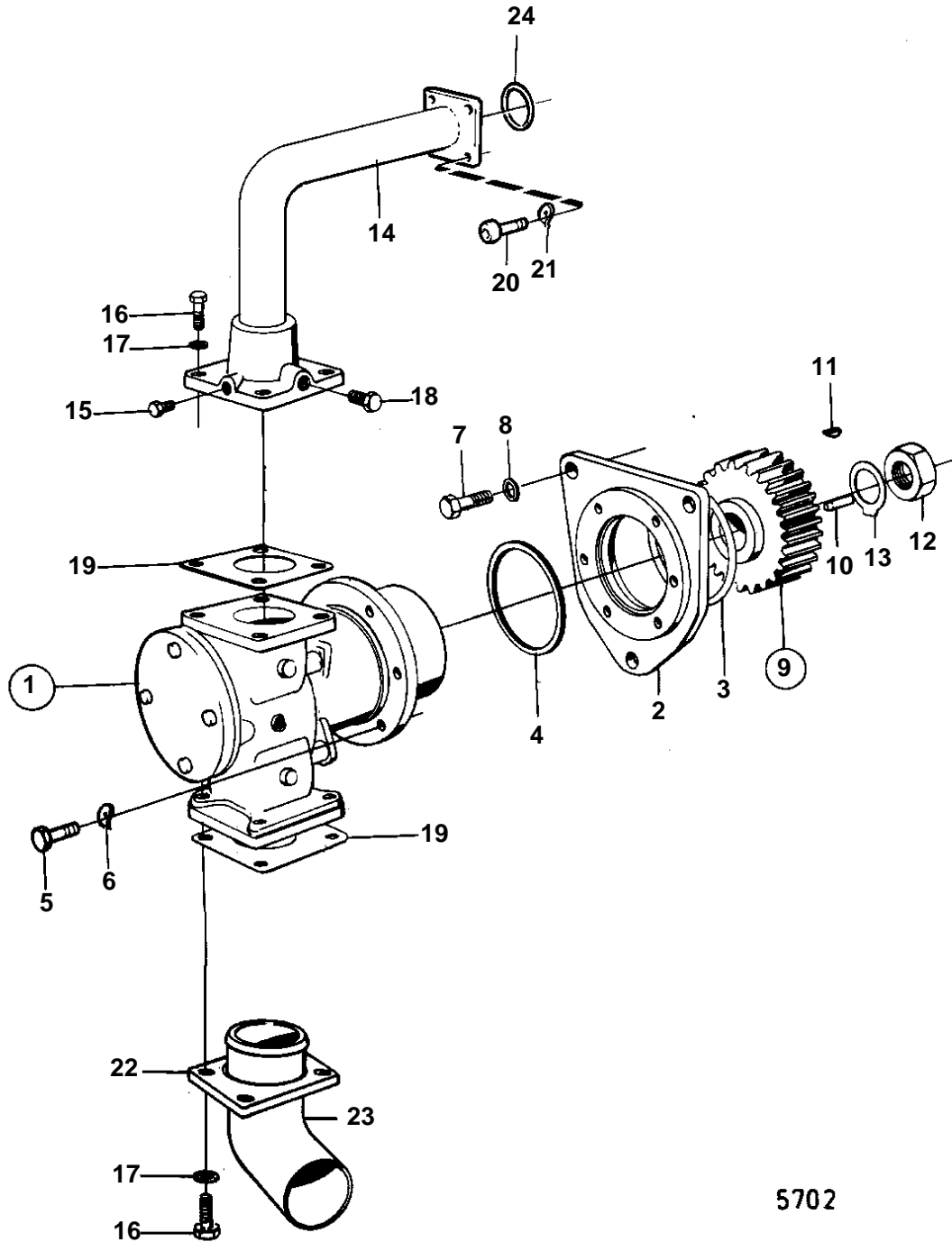


D100BHC,TD100AHC



5702

D100BHC,TD100AHC

REF	PART NO.	QTY	DESCRIPTION	SEE SEC.	NOTES
1	822787	1	Water pump		
				02B-1000	
2	820695	1	Intermediate section		
3	925095	1	O-ring		
4	413619	1	Gasket		
5	940114	3	Screw		
6	942336	3	Spring washer		
7	955576	3	Screw		
8	941911	3	Spring washer		
9	820957	1	Gear		SEE GROUP 2A. D70B MO43034/XXXXX-.
10	950564	1	· Pin		SEE GROUP 2A
11	942406	1	Key		SEE GROUP 2A
12	955860	1	Nut		
13	942735	1	Lock washer		
14	846705	1	Tube	02B-0100	
15	180759	1	Plug		
16	940114	8	Screw		
17	942336	8	Spring washer		
18	192134	2	Plug		
19	820877	2	Gasket	IK	
20	956569	4	Screw		
21	941907	4	Spring washer		
22	842029	1	Flange		
23	842028	1	Riser		
24	843584	1	Sealing ring		