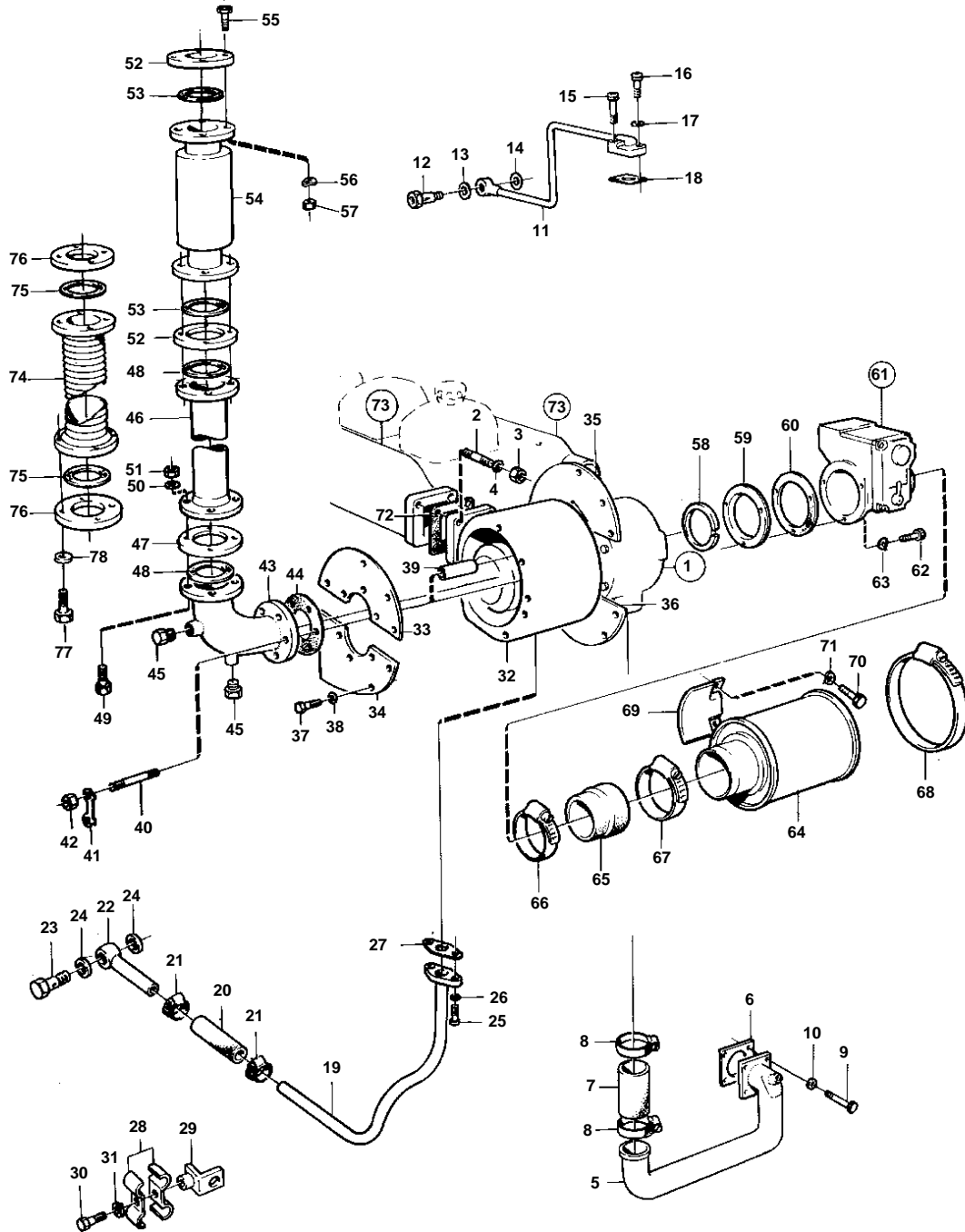


TD100AHC,TD100ARC



5719

TD100AHC,TD100ARC

REF	PART NO.	QTY	DESCRIPTION	SEE SEC.	NOTES
1	837455	1	Turbo		
				02B-2300	
	844450	1	Turbo		ALT CLASS
				02B-2300	
2	953261	4	Stud		
3	943152	4	Nut		
4	942336	4	Spring washer		
5	837561	1	Connection pipe		
6	466271	1	Gasket		
7	952986	X	Rubber hose		L = 60 MM
8	943482	2	Hose clamp		
9	956570	4	Screw		
10	941907	4	Spring washer		
11	823543	1	Tube		SEE GROUP 3
12	844116	1	Hollow screw		SEE GROUP 3
13	942703	1	Gasket		
14	957181	1	Gasket		
15	956585	1	Screw		
16	956584	1	Screw		
17	942336	2	Spring washer		
18	417378	1	Gasket	IK	ALTERNATOR, MOUNTED HIGH.
19	823544	1	Tube		
20	192358	X	Rubber hose		L = 90 MM
21	943474	2	Hose clamp		
22	896780	1	Tube		
23	191929	1	Hollow screw		
24	957185	2	Gasket		
25	940115	2	Screw		
26	942336	2	Spring washer		
27	417381	1	Gasket	IK	ALTERNATOR, MOUNTED HIGH.
28	820851	2	Clamp		
29	820853	1	Bracket		
30	940100	1	Screw		
31	941906	1	Spring washer		
32	823352	1	Heat shield	IK	
33	823241	1	Protecting plate	IK	
34	823242	1	Protecting plate	IK	
35	823243	1	Protecting plate	IK	
36	823244	1	Protecting plate	IK	
37	940113	20	Screw		
38	941907	20	Spring washer		
39	820916	6	Spacer sleeve	IK	
40	953272	6	Stud	IK	
41	15193	3	Lock washer	IK	
42	943152	6	Nut	IK	
43	823336	1	Exhaust riser		
44	411710	1	Gasket	IK	
45	192154	2	Plug	IK	
46	820900	1	Exhaust hose		L = 590 MM
47	807625	1	Exhaust pipe flange		
48	807578	2	Gasket	IK	
49	955592	4	Screw	IK	
50	941912	4	Spring washer	IK	
51	955829	4	Nut		
52	842005	2	Flange		
53	807578	2	Gasket		
54	827021	1	Muffler		L = 1370 MM
55	955591	8	Screw		
56	941912	8	Spring washer		
57	955829	8	Nut		
58	843703	1	Clamping ring		ÅKERMAN.

TD100AHC,TD100ARC

REF	PART NO.	QTY	DESCRIPTION	SEE SEC.	NOTES
59	843704	1	Attaching ring		ÅKERMAN.
60	843718	1	Gasket		ÅKERMAN.
61			EMERGENCY STOP		SEE GROUP 3
62	959221	2	Screw		L = 22 MM. ÅKERMAN.
	959231	1	Screw		L = 70 MM. ÅKERMAN.
63	941907	3	Spring washer		ÅKERMAN.
64	842280	1	Air filter		
65	843409	1	Fitting		
66	943483	1	Hose clamp		
67	943484	1	Hose clamp		
68	942921	1	Hose clamp		
69	843431	1	Bracket		
70	955512	2	Screw		
71	941906	2	Spring washer		
72	417382	1	Gasket	IK	ALTERNATOR, MOUNTED HIGH.
73			INDUCTION AND EXHAUST MANIFOLD WITH INSTALLATION COMPONENTS	02B-1800	
74	843087	1	Compensator		L = 85 MM
	843088	1	Compensator		L = 185 MM
75	807578	2	Gasket		
76	820905	2	Connection flange		
77	955365	8	Screw		
78	941912	8	Spring washer		