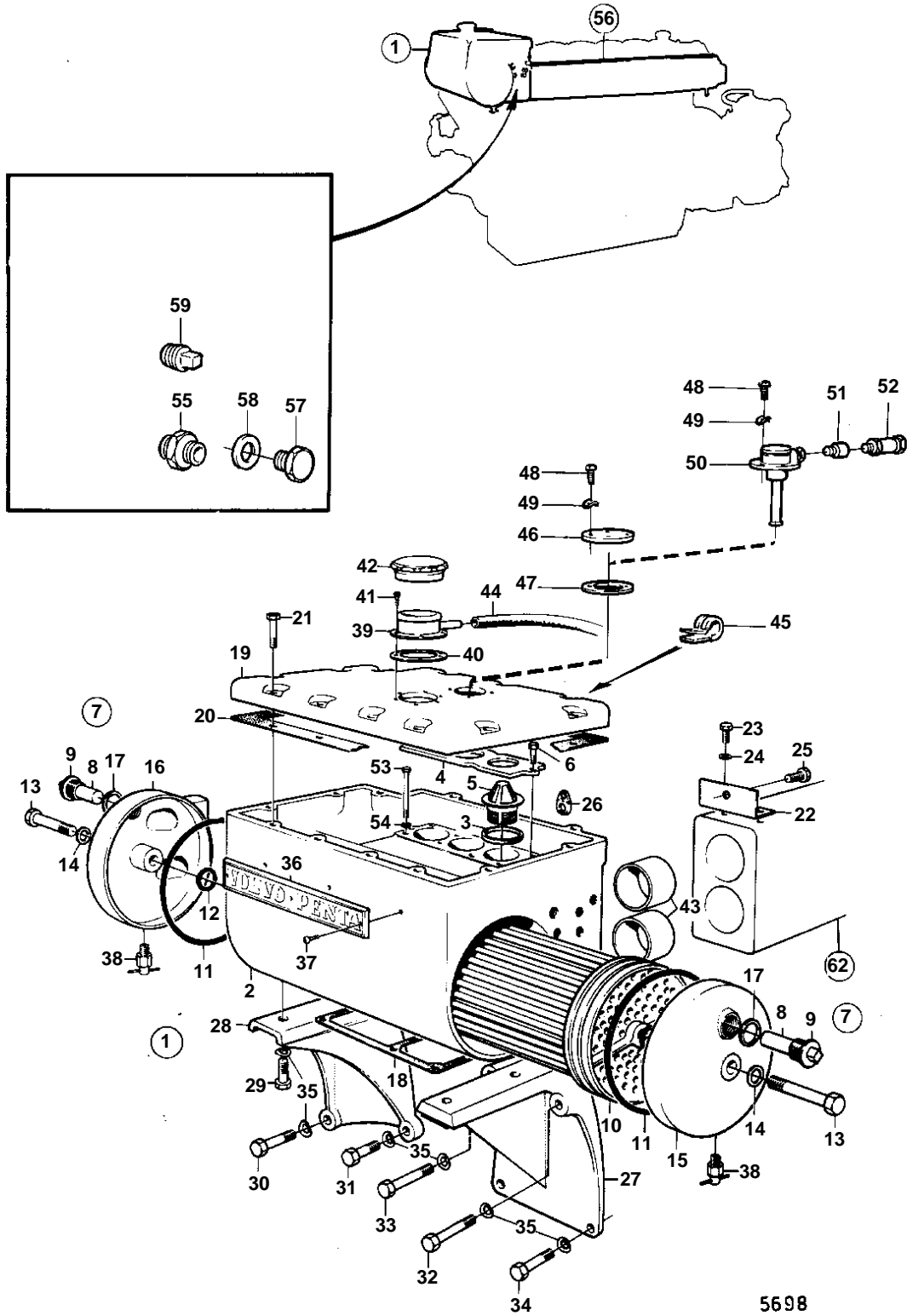


D100BHC,TD100AHC



HEAT EXCHANGER AND THERMOSTAT WITH INSTALLATION COMPONENTS

02B

D100BHC,TD100AHC

REF	PART NO.	QTY	DESCRIPTION	SEE SEC.	NOTES
1	844137	1	Heat exchanger		
2	837183	1	· Housing		
3	416033	3	· Sealing ring		
4	824134	1	· Plate	IK	
5	467014	2	· Thermostat		76%Z9 EARLIER PROD
	1544297	2	· Thermostat		76%Z9 LATER PROD
	824200	1	· Thermostat		70%Z9 EARLIER PROD
	1544389	1	· Thermostat		70%Z9 LATER PROD
6	942342	4	· Screw		
7	823660	4	· Zinc electrode		REPL BY 823661
8	823661	4	· · Zinc electrode		
9	823662	4	· · Plug		
10	823278	1	· Insert		
11	400797	4	· O-ring	IK	
12	925057	2	· Rubber ring	IK	
13	823279	2	· Screw		
14	11996	2	· Gasket		
15	820715	1	· End plate		
16	843852	1	· Cover		
17	836169	4	· Gasket		
18	821853	1	· Gasket	IK 02B-1300	
19	843746	1	Cover		
20	820726	1	Gasket		
21	955525	12	Screw		
22	820728	1	Bracket		
23	940114	2	Screw		
24	940097	2	Washer		
25	955560	1	Screw		
26	423139	1	Seal		SEE GROUP 2A
27	820730	1	Bracket		
28	823036	1	Bracket		
29	940162	4	Screw		
30	955541	3	Screw		L = 76 MM
31	955535	1	Screw		L = 32 MM
32	955543	1	Screw		L = 95 MM
33	940156	1	Screw		L = 89 MM
34	955539	2	Screw		
35	942336	12	Spring washer		
36	820232	1	Sign		
37	950210	3	Screw		
38	82744	4	Tap		
39	821348	1	Cover		
40	821349	1	Gasket	IK	
41	950145	6	Screw		
42	321973	1	Filler cap		
43	820725	2	Hose	02B-1800	
44	192618	X	Hose		L = 1000 MM
45	952625	1	Clamp		REPLACED BY 1EA 1544389.
46	843760	1	Cover		SPEC 867521, 867527
47	843761	1	Gasket		
48	956076	4	Screw		
49	941905	4	Spring washer		
50	837797	1	Float breaker		SEE GROUP 3. REPLACED BY 1EA 1544389.
51	843906	1	Reducer sleeve		REPLACED BY 1EA 1544389.
52	881191	1	Cable union		REPLACED BY 1EA 1544389.
53	942232	6	Screw		
54	942551	6	Washer		
55	844127	1	Nipple		SEE GROUP 3. SPEC. 867131.
56	896700	1	Exhaust pipe	02B-1800	
57	180761	1	Plug		
58	11996	1	Gasket		
59	952077	2	Plug		
	952077	1	Plug		SPEC. 867131.

7742130 - 02B - 02B-0350

5698

Upd: 29 DEC 2005

D100BHC, D100BRC, TD100AHC, TD100ARC

**VOLVO
PENTA**

D100BHC,TD100AHC

REF	PART NO.	QTY	DESCRIPTION	SEE SEC.	NOTES
59	952075	1	Plug		