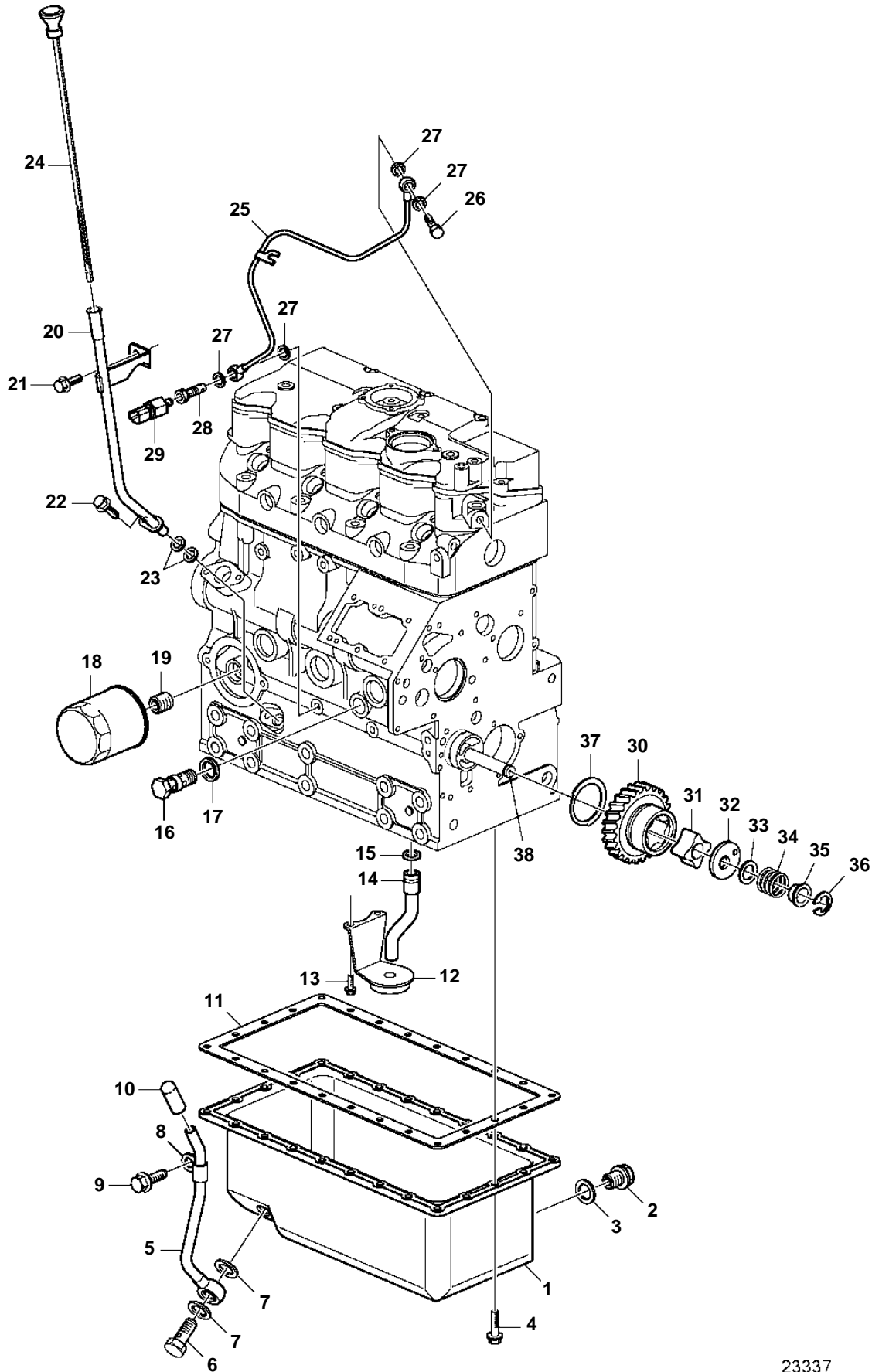


D2-40A, D2-40B, D2-40F



23337

D2-40A, D2-40B, D2-40F

REF	PART NO.	QTY	DESCRIPTION	SEE SEC.	NOTES
1	3812440	1	Sump		D2-40A, D2-40B
	21281975	1	Sump		D2-40F
2	3580091	1	Screw		
3	3580092	1	Sealing ring		
4	21246391	24	Hexagon screw		
5	3887377	1	Oil pipe		
6	941686	1	Hollow screw		
7	11996	2	Gasket		
8	941565	1	Clamp		
9		1	Screw		
10	1276516	1	Rubber cap		
11	3840859	1	Gasket		
12	3886403	1	Strainer		
13	861526	2	Screw		
14	3889518	1	Oil pipe		
15	861997	1	O-ring		
16	3583580	1	Reduction valve		
17	3583581	1	O-ring		
18	3840525	1	Oil filter		
19	861825	1	Bolt		
20	3580297	1	Tube		
21	947107	1	Flange screw		
22	861526	1	Screw		
23	3886404	2	O-ring		
24	3812398	1	Dipstick		
25	3887370	1	Oil pipe		
26	861872	1	Hollow screw		
27	947620	4	Gasket		
28	3583575	1	Hollow screw		
29	3808796	1	Pressure monitor		Replaced by 21250645
	21250645	1	Pressure switch		
30		1	Gear	8322	D2-40A, D2-40B
		1	Gear	35088	D2-40F
31	861989	1	Rotor		
32	861527	1	Cardboard tube		
33	861528	1	Shim		
	861529	1	Shim		T=0.15mm
	861530	1	Shim		T=0.20mm
	861531	1	Shim		T=0.50mm
34	861532	1	Spring		
35	861533	1	Sleeve		
36	861534	1	Lock ring		
37	861986	1	Thrust washer		
38		1	Shaft	8291	D2-40A, D2-40B
		1	Shaft	35091	D2-40F