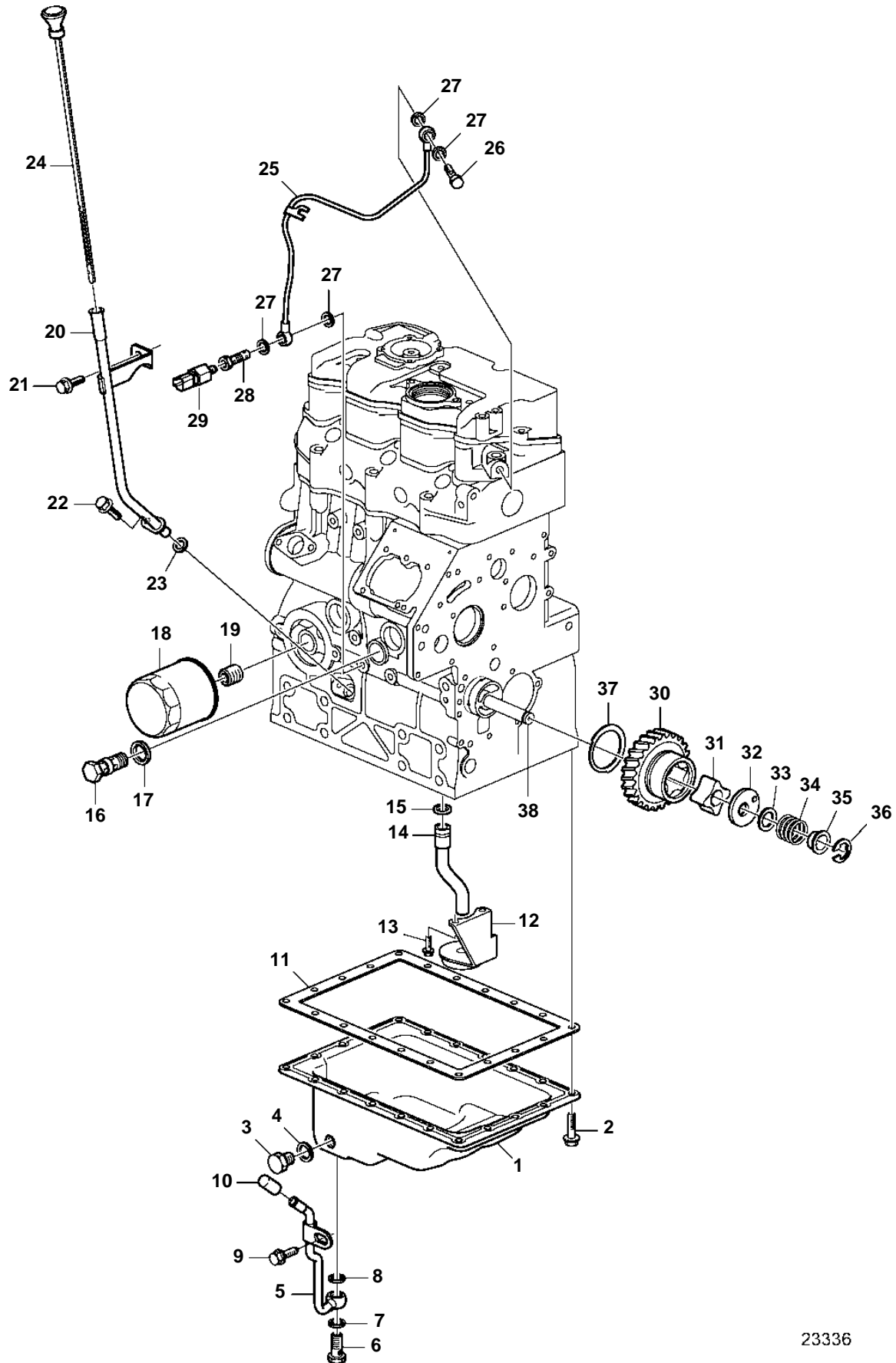


D1-30A, D1-30B, D1-30F



23336

## D1-30A, D1-30B, D1-30F

REF	PART NO.	QTY	DESCRIPTION	SEE SEC.	NOTES
1	3581743	1	Sump		
2	21246391	20	Hexagon screw		
3	861834	2	Screw		
4	3808607	2	Washer		
5	3581779	1	Oil pipe		
6	3581928	1	Hollow screw		
7	3884542	1	Sealing ring		
8	3884543	1	Sealing ring		
9		1	Screw		
10	1276516	1	Rubber cap		
11	3580288	1	Gasket		
12	3580362	1	Strainer		
13	861526	2	Screw		
14	3580361	1	Suction pipe		
15	861997	1	O-ring		
16	3583580	1	Reduction valve		
17	3583581	1	O-ring		
18	3840525	1	Oil filter		
19	861825	1	Bolt		
20	3580297	1	Tube		
21	947107	1	Flange screw		
22	21246391	1	Hexagon screw		
23	861851	1	O-ring		
24	3812441	1	Dipstick		
25	3884545	1	Oil pipe		
26	861872	1	Hollow screw		
27	947620	4	Gasket		
28	3583575	1	Hollow screw		
29	3808796	1	Pressure monitor		Replaced by 21250645
	21250645	1	Pressure switch		
30		1	Gear	8321	D1-30A, D1-30B
		1	Gear	35087	D1-30F
31	861989	1	Rotor		
32	861527	1	Cardboard tube		
33	861528	1	Shim		T=0.10mm
	861529	1	Shim		T=0.15mm
	861530	1	Shim		T=0.20mm
	861531	1	Shim		T=0.50mm
34	861532	1	Spring		
35	861533	1	Sleeve		
36	861534	1	Lock ring		
37	861986	1	Thrust washer		
38		1	Shaft	8290	D1-30A, D1-30B
		1	Shaft	35092	D1-30F