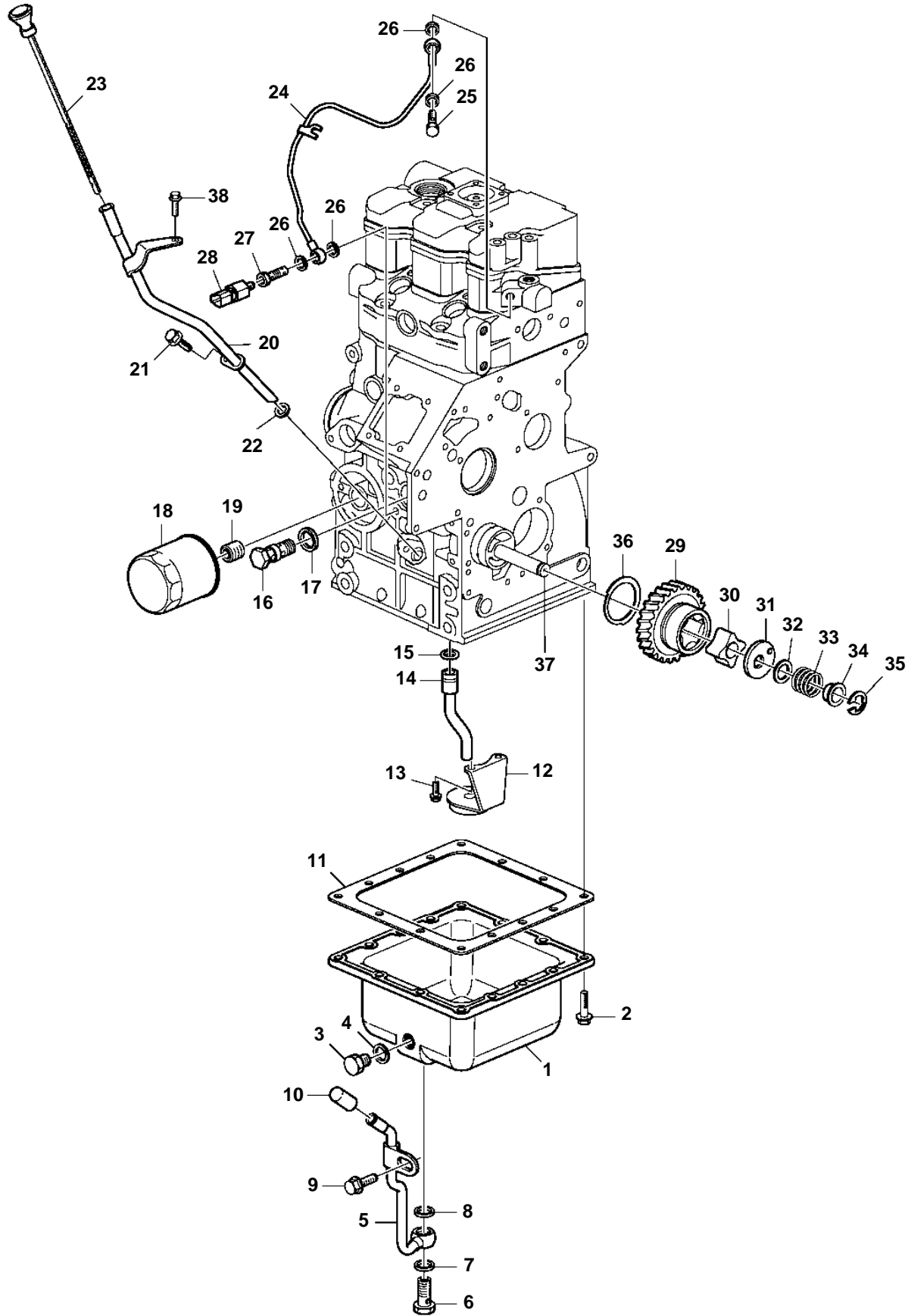


D1-13F



D1-13F

REF	PART NO.	QTY	DESCRIPTION	SEE SEC.	NOTES
1	21281968	1	Sump		
2	21246391	14	Hexagon screw		
3	3808606	2	Plug		
4	3808607	2	Washer		
5	3581779	1	Oil pipe		
6	3581928	1	Hollow screw		
7	3884542	1	Sealing ring		
8	3884543	1	Sealing ring		
9	947107	1	Flange screw		
10	1276516	1	Rubber cap		
11	861822	1	Gasket		
12	3886402	1	Strainer		
13	861526	2	Screw		
14	861998	1	Suction pipe		
15	861997	1	O-ring		
16	3583580	1	Reduction valve		
17	3583581	1	O-ring		
18	861473	1	Oil filter		
19	861825	1	Bolt		
20	3885000	1	Dipstick tube		
21	21246391	1	Hexagon screw		
22	3886404	2	O-ring		
23	21190016	1	Oil dipstick		
24	3809626	1	Oil pipe		
25	861872	1	Hollow screw		
26	11992	4	Gasket		
27	3583575	1	Hollow screw		
28	3808796	1	Pressure monitor		Replaced by 21250645
	21250645	1	Pressure switch		
29		1	Gear	35028	
30	861989	1	Rotor		
31	861527	1	Cardboard tube		
32	861528	1	Shim		T=0.10mm
	861529	1	Shim		T=0.15mm
	861530	1	Shim		T=0.20mm
	861531	1	Shim		T=0.50mm
33	861532	1	Spring		
34	861533	1	Sleeve		
35	861534	1	Lock ring		
36		1	Thrust washer	35028	
37		1	Shaft	35035	
38	21246391	1	Hexagon screw		