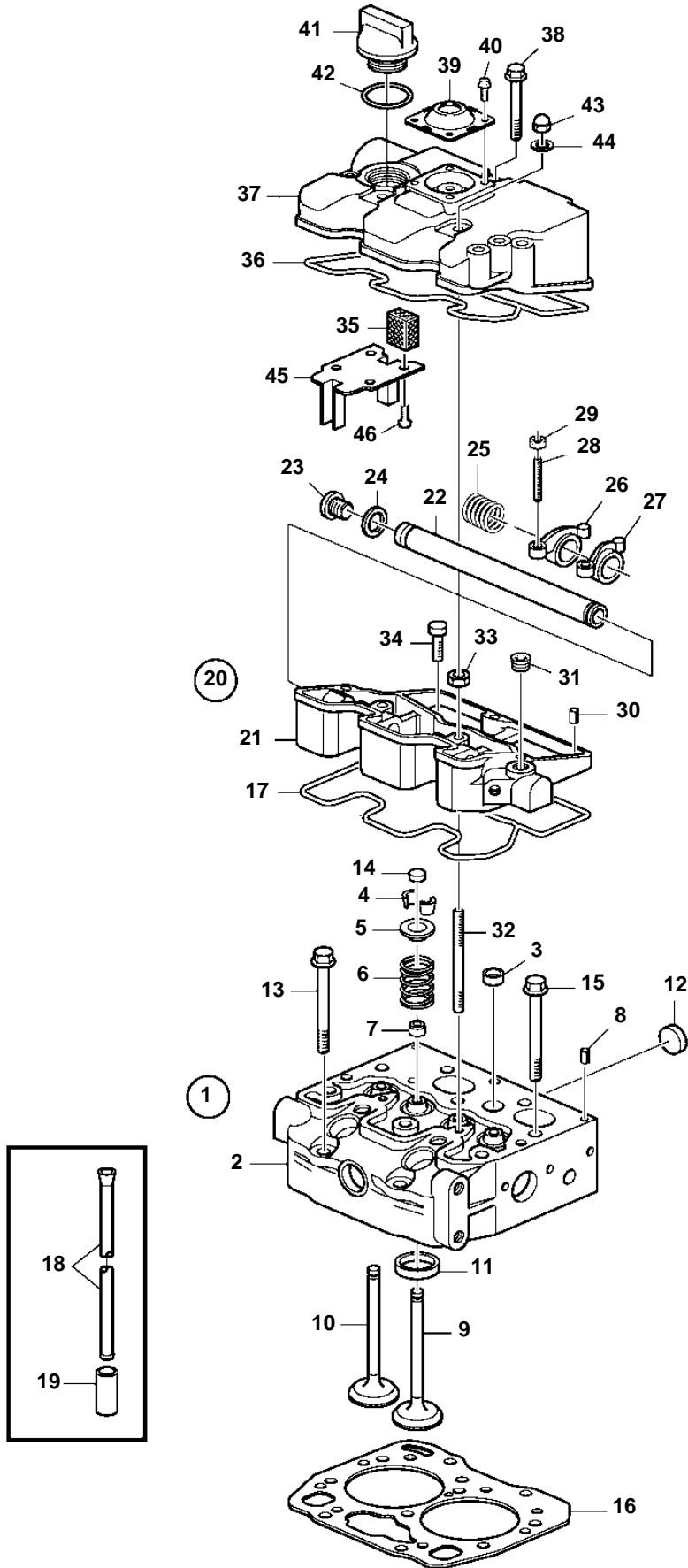


D1-13A, D1-13B, D1-13F



24348

D1-13A, D1-13B, D1-13F

REF	PART NO.	QTY	DESCRIPTION	NOTES
1	3803891	1	Cylinder head, exch	
2		1	· Cylinder head	
	3803891	1	· Cylinder head, exch, exch	
3	3886428	1	· Cardboard tube	
4	861863	8	· Valve cone	
5	861862	4	· Valve spring washer	
6	861861	4	· Valve spring	
7	861860	4	· Valve stem seal	
8		2	· Tensioning din	
9	3809662	2	· Inlet valve	
10	861859	2	· Exhaust valve	
11	3886394	4	· Valve seat ring	
12	3886430	4	· Plug blank	
13	861867	2	Screw	
14	3581293	4	Valve cap	
15	861866	8	Screw	
16	3808602	1	Cylinder head gasket	T=1.2mm
	3809647	1	Cylinder head gasket	TH = 1.3mm
17	3809656	1	Gasket	
18	3809670	4	Push rod	
19	861827	4	Tappet	
20		1	Rocker arm	
21		1	· Bracket	
22	3809635	1	· Rocker arm shaft	
23	3812105	1	· Plug	
24	861851	1	· O-ring	
25	3809640	1	· Spring	
26	3809639	2	· Rocker arm	
27	3809638	2	· Rocker arm	
28	861877	4	· Screw	
29	861878	4	· Nut	
30	3886069	2	· Pin	
31	3809690	1	Plug	
32	3809663	2	Stud	
33	945407	2	Flange nut	
34	3840802	1	Screw	
35	3580320	1	Filter	
36	3809657	1	Gasket	
37	3808793	1	Valve cover	
38	3809669	3	Screw	
39	3809668	1	Valve	
40	3583659	4	Screw	
41	3809653	1	Oil filler cap	
42	3886406	1	Sealing	
43	21246490	2	Cap nut	
44	3840804	2	Washer	
45	3887185	1	Support plate	
46	3583663	1	Screw	