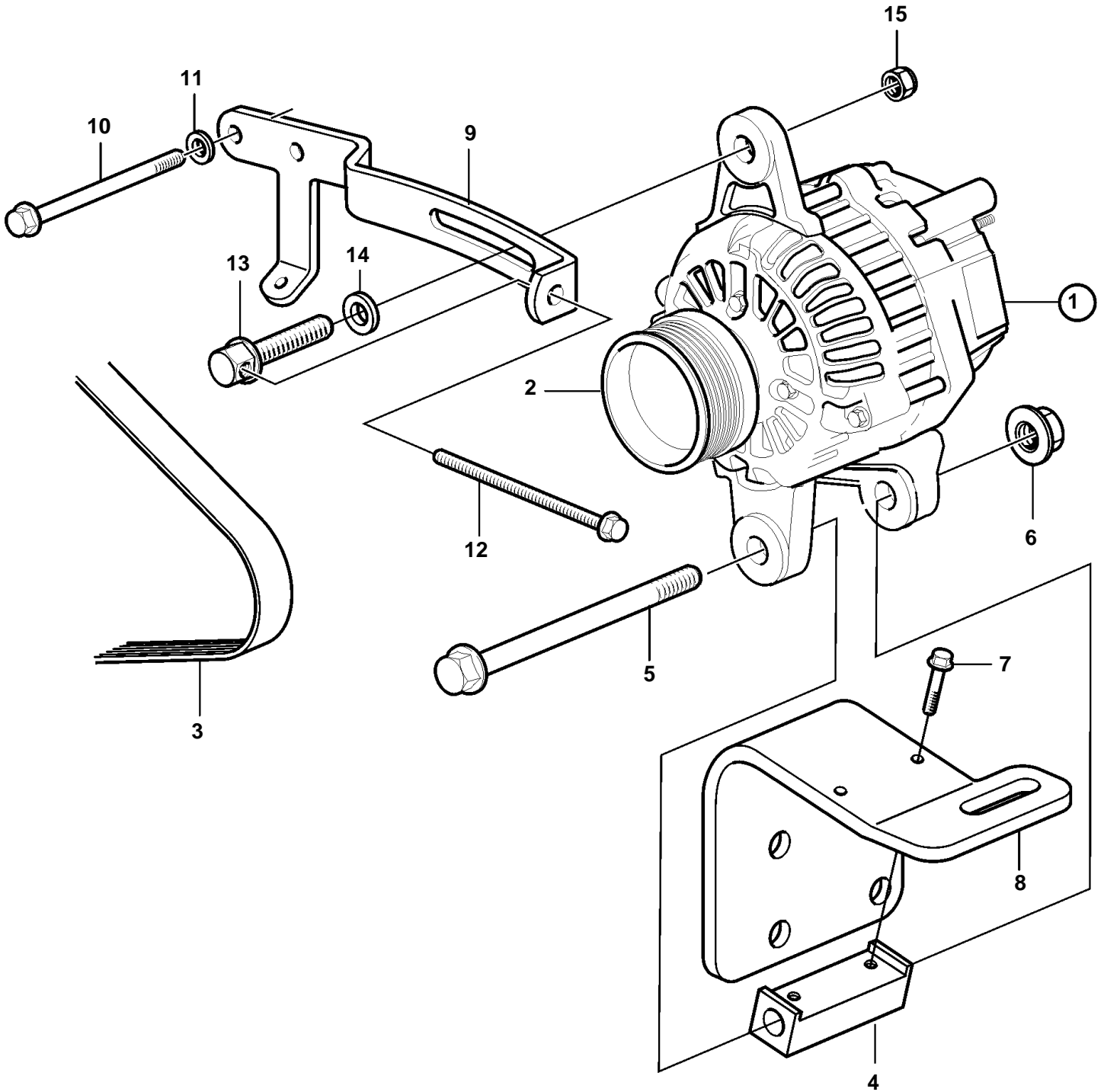


D1-13A, D1-13B, D1-20A, D1-20B, D1-13F, D1-20F



22910

D1-13A, D1-13B, D1-20A, D1-20B, D1-13F, D1-20F

| REF | PART NO. | QTY | DESCRIPTION                  | SEE SEC. | NOTES            |
|-----|----------|-----|------------------------------|----------|------------------|
| 1   | 3819662  | 1   | Alternator                   |          | 14V 115A         |
|     | 3803903  | 1   | Alternator, exch, exch       |          | 14V 115A         |
|     |          |     |                              | 9997     |                  |
| 2   | 3803903  | 1   | Alternator, exch<br>· Pulley |          |                  |
|     |          |     |                              | 9997     |                  |
| 3   | 3809625  | 1   | Belt                         |          |                  |
| 4   | 3812711  | 1   | Alternator bracket           |          |                  |
| 5   | 978447   | 1   | Flange screw                 |          |                  |
| 6   | 971096   | 1   | Flange nut                   |          |                  |
| 7   | 946470   | 2   | Flange screw                 |          |                  |
| 8   |          | 1   | Engine mountings, front      | 8304     | Port side, D1-13 |
|     |          | 1   | Engine mountings, front      | 8305     | Port side, D1-20 |
| 9   | 3809628  | 1   | Tensioning arm               |          |                  |
| 10  | 1346183  | 3   | Screw                        |          | D1-13            |
|     | 3887173  | 3   | Screw                        |          | D1-20            |
| 11  | 861913   | 3   | Spring washer                |          | D1-13            |
| 12  | 21246605 | 1   | Hexagon screw                |          |                  |
| 13  | 861663   | 1   | Lock screw                   |          |                  |
| 14  | 3580019  | 1   | Washer                       |          |                  |
| 15  | 21246409 | 1   | Flange nut                   |          |                  |