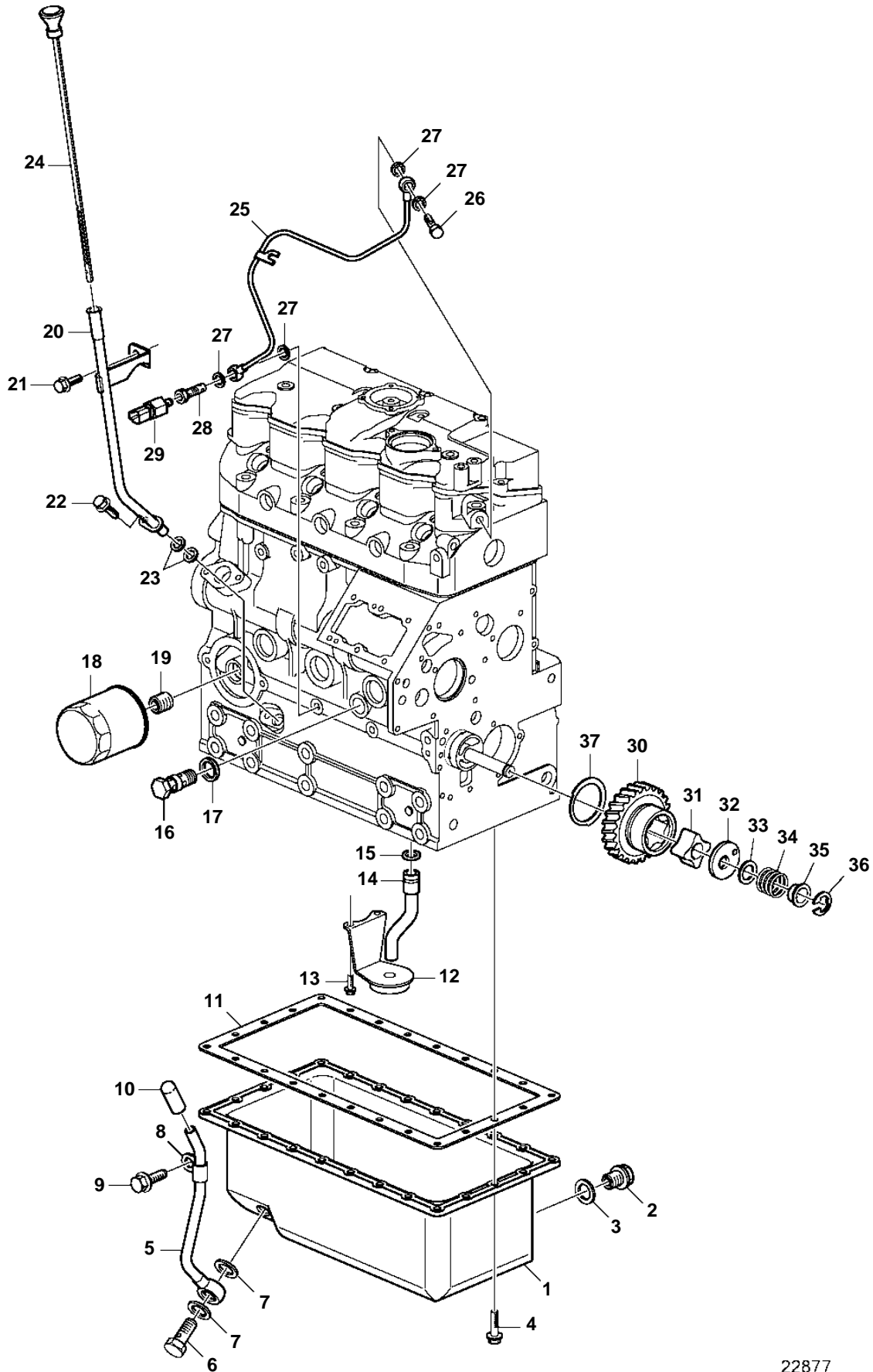


D2-40



22877

D2-40

REF	PART NO.	QTY	DESCRIPTION	SEE SEC.	NOTES
1	3812440	1	Sump		
2	3580091	1	Plug		
3	3580092	1	Gasket		
4	945358	24	Flange screw		
5	3887377	1	Oil pipe	NS	
6	941686	1	Hollow screw		
7	11996	2	Gasket		
8	941565	1	Clamp		
9	3582370	1	Screw		
10	1276516	1	Plug		
11	3840859	1	Gasket		
12	3886403	1	Strainer	NS	
13	861526	2	Screw		
14		1			
15	861997	1	O-ring		
16	3583580	1	Reducing valve		
17	3583581	1	O-ring		
18	3581621	1	Oil filter		
19	861825	1	Nipple		
20	3580297	1	Tube		
21	947107	1	Flange screw		
22	861526	1	Screw		
23	3886404	2	O-ring		
24	3812398	1	Oil dipstick		
25	3583067	1	Oil pipe		
26	861872	1	Hollow screw		
27	11992	4	Gasket		
28	3583575	1	Hollow screw		
29	3808796	1	Pressure monitor		
30		1	Gear	8296	
31	861989	1	Rotor		
32	861527	1	Cover		
33	861528	1	Shim		
	861529	1	Shim		T=0.15 MM
	861530	1	Shim		T=0.20 MM
	861531	1	Shim		T=0.50 MM
34	861532	1	Spring		
35	861533	1	Sleeve		
36	861534	1	Lock ring		
37	861986	1	Thrust washer		