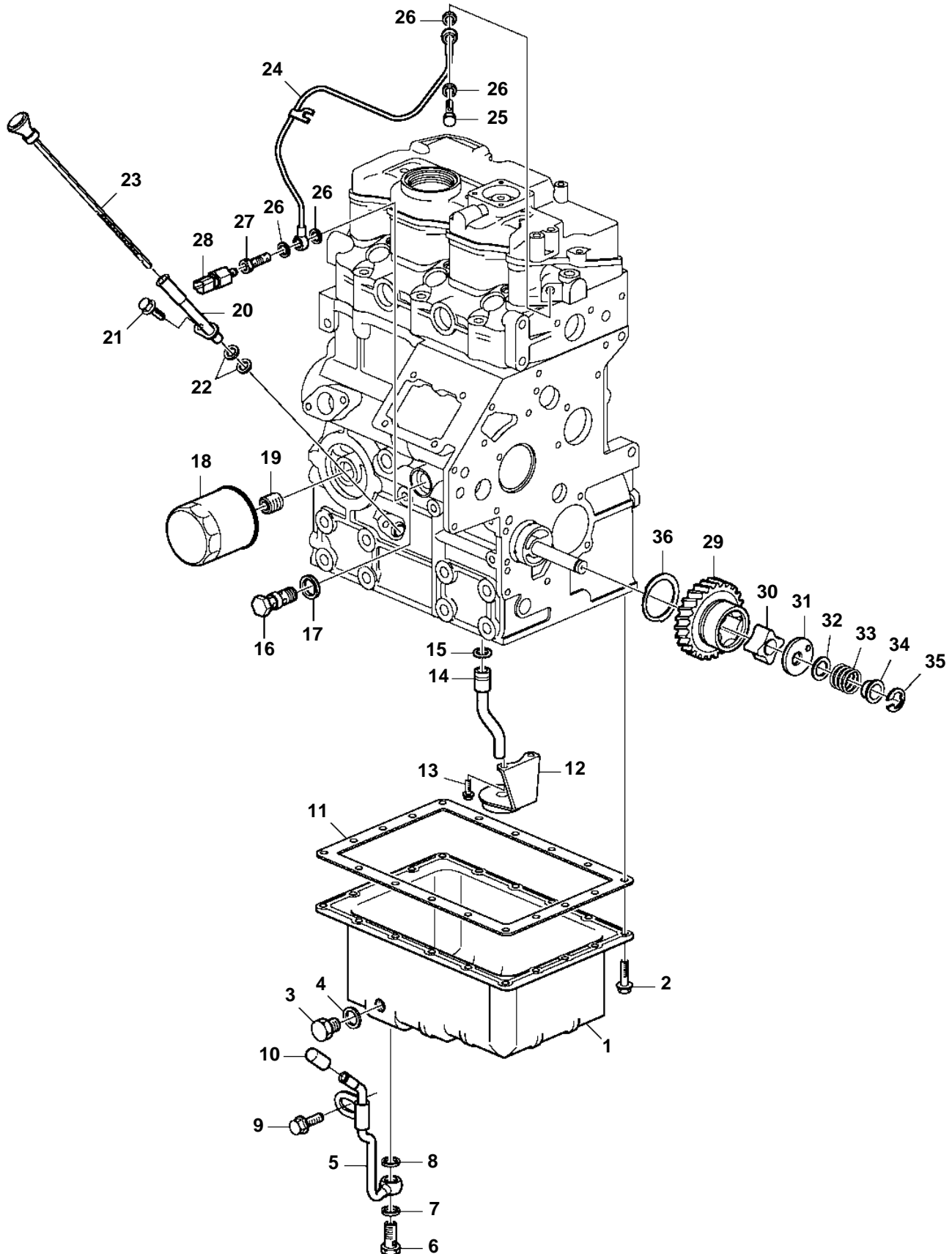


D1-20



22875

## D1-20

REF	PART NO.	QTY	DESCRIPTION	SEE SEC.	NOTES
1	3581742	1	Oil pan		
2	945358	18	Flange screw		
3	3808606	2	Plug		
4	3808607	2	Sealing washer		
5	3581779	1	Oil draining pipe		
6	3581928	1	Hollow screw		
7	3884542	1	Sealing ring		
8	3884543	1	Sealing ring		
9	946471	1	Screw		
10	1276516	1	Plug		
11	3580227	1	Gasket		
12	3886402	1	Strainer		
13	861526	2	Screw		
14	861998	1	Tube		
15	861997	1	O-ring		
16	3583580	1	Reducing valve		
17	3583581	1	O-ring		
18	861473	1	Oil filter		
19	861825	1	Nipple		
20	3818050	1	Tube		
21	861526	1	Screw		
22	3886404	2	O-ring		
23	3812147	1	Oil dipstick		
24		1			
25	861872	1	Hollow screw		
26	11992	4	Gasket		
27	3583575	1	Hollow screw		
28	3808796	1	Pressure monitor		
29		1	Gear	8296	
30	861989	1	Rotor		
31	861527	1	Cover		
32	861528	1	Shim		T=0.10 MM
	861529	1	Shim		T=0.15 MM
	861530	1	Shim		T=0.20 MM
	861531	1	Shim		T=0.50 MM
33	861532	1	Spring		
34	861533	1	Sleeve		
35	861534	1	Lock ring		
36	861986	1	Thrust washer		