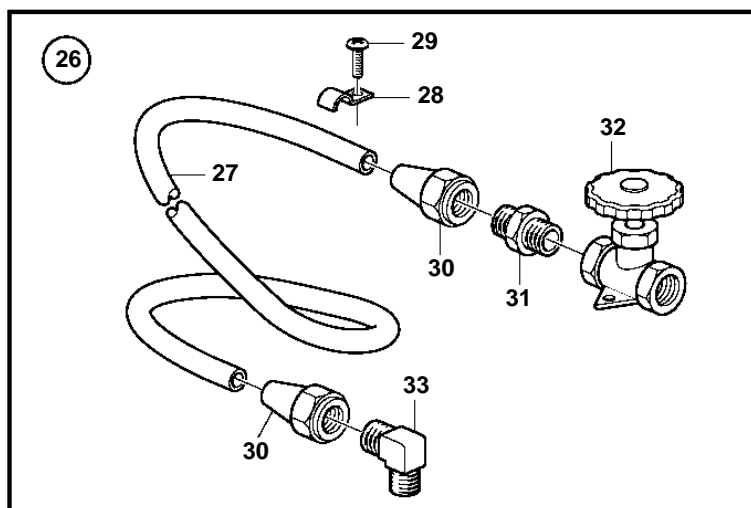
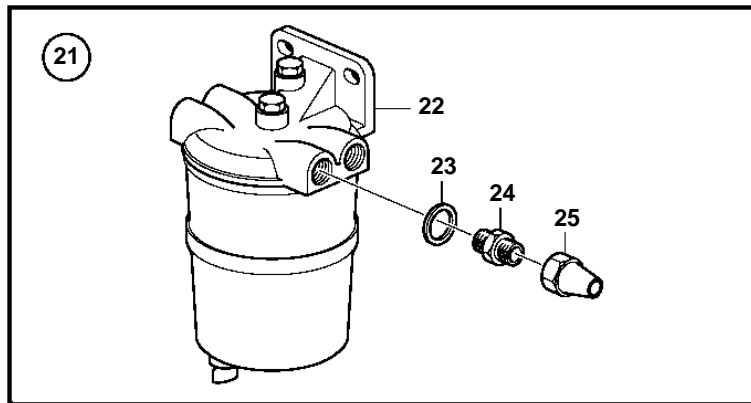
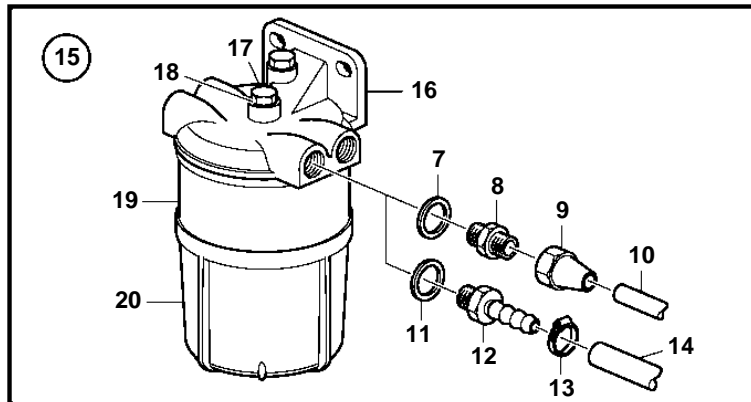
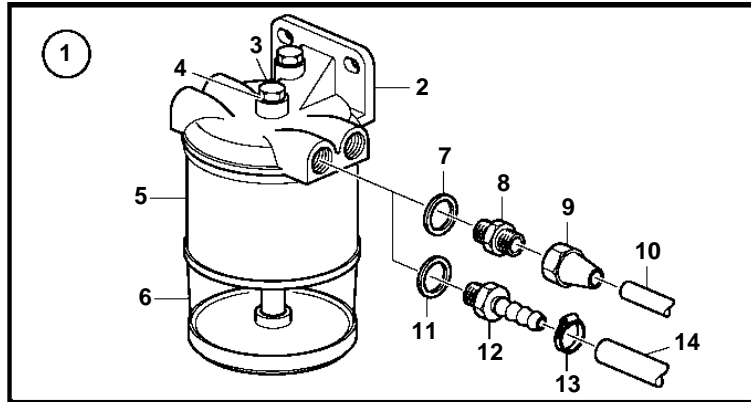


D1-13, D1-20, D1-30, D2-40



22464

D1-13, D1-20, D1-30, D2-40

REF	PART NO.	QTY	DESCRIPTION	NOTES
1	877766	1	Fuel filter	METAL. Fuel filter and water separator.
2		1	· Fuel cleaner	
3	940113	1	· · Screw	
4	11992	1	· · Gasket	
5	3581078	1	· · Filter insert	
6	3582499	1	· · Bowl	
7	18817	2	Gasket	
8	190962	2	Nipple	5/16"
	954337	2	Nipple	3/8"
9	954322	2	Cap nut	5/16"
	954323	2	Cap nut	3/8"
10	954305	X	Copper tube	5/16". Water separator.
	1140062	X	Copper tube	3/8"
11	957177	2	Gasket	
12	3825000	2	Nipple	
13	961664	2	Hose clamp	
14	861057	X	Fuel hose	3/8"
15	877767	1	Fuel filter	PLASTIC
16		1	· Fuel filter	
17	940113	1	· · Screw	
18	11992	1	· · Gasket	
19	3581078	1	· · Filter insert	
20	3581189	1	· · Bowl	
21	833972	1	Water separator	
22	833971	1	· Water separator	
23	957177	2	· Gasket	
24	191397	2	· Nipple	5/16"
	941438	2	· Nipple	3/8"
25	954322	2	· Cap nut	5/16"
	954323	2	· Cap nut	3/8"
26	827912	1	Fuel line	5/16"
27	954305	1	· Copper tube	5/16", L=5m
28	951189	15	· Clamp	
29	968476	15	· Flange screw	
30	954322	3	· Cap nut	5/16"
31	954336	2	· Nipple	5/16"
32	3581708	1	· Tap	
33	954343	1	· Elbow nipple	