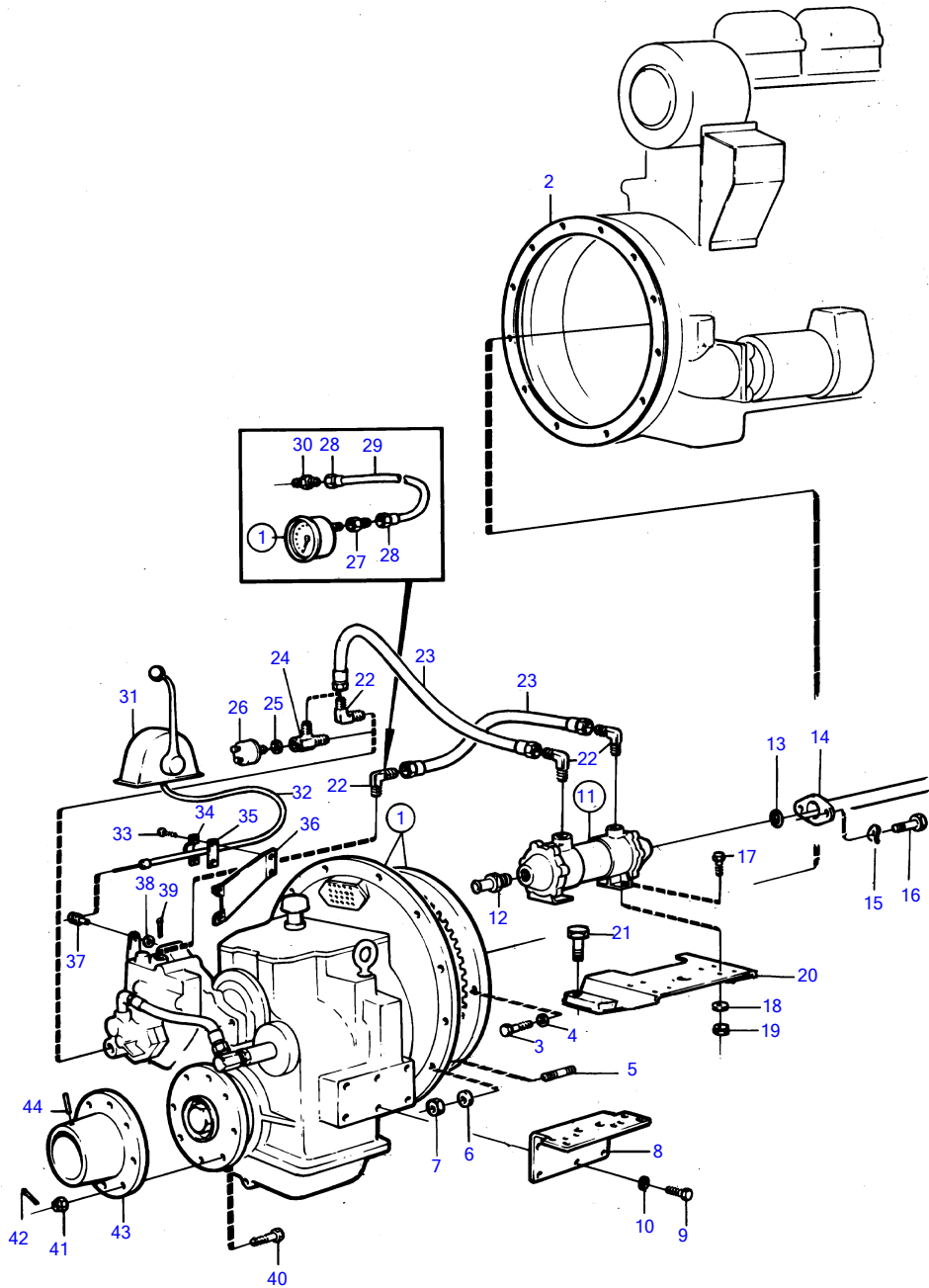


TAMD70E



7472

## TAMD70E

REF	PART NO.	QTY	DESCRIPTION	SEE SEC.	NOTES
1		1	rev.gear, ratio 1,45:1		
		1	rev.gear, ratio 2,00:1		
		1	rev.gear, ratio 3,00:1		
		1	rev.gear, ratio 3,83:1		
		1	rev.gear, ratio 4,50:1		
			* component not spec.		
2	862623	1	Gasket		
3	940162	6	Hexagon screw		
4	942336	6	Spring washer		
5	953486	11	Stud		
	955536	1	Hexagon screw		
6	942336	12	Spring washer		
7	955827	11	Hexagon nut		
8	(837098)	2	Bracket		Obsolete part
9	955589	10	Hexagon screw		
10	941912	10	Spring washer		
11	837083	1	Oil cooler		
			*	16893	
12	(836759)	1	Hose attachment		Obsolete part
13	836778	1	Gasket		
14		1	pipe		See group 2B
15	941907	2	Spring washer		
16	940135	2	Hexagon screw		
17	940135	4	Hexagon screw		
18	941907	4	Spring washer		
19	955826	4	Hexagon nut		
20	(847020)	1	Bracket		Obsolete part
21	955592	2	Hexagon screw		
22	837063	4	Elbow union		
23	848351	2	Hose		L=770mm
24	842717	1	Elbow union		
25	947624	1	Gasket		
26	837781	1	Oil pressure sensor		
27	(836064)	1	Nipple		Obsolete part
28	954320	2	Fitting nut		
29	(954303)	X	Tube		L=5000mm, Obsolete part
30	(954334)	1	Nipple		Obsolete part
31		X	control		See group 9
32		X	control cable		See group 9
33	950021	2	Cross recessed screw		
34	21471054	1	Bracket		
35	819068	1	Washer		
36	(836117)	1	Bracket		Obsolete part
37	(813674)	1	Cube		Obsolete part
38	940191	1	Washer		
39	907824	1	Split pin		
40	(955750)	6	Hexagon screw		For 837055, Obsolete part
	(955772)	8	Screw		For 837093, Obsolete part
41	955887	6	Castle nut		For 837055
	(955889)	8	Castle nut		For 837093, Obsolete part
42	907861	6	Split pin		For 837055
	907881	8	Split pin		For 837093
43	(837055)	1	Clutch flange		Opposite revolution in relation to engine., , 167) D1=30mm, Obsolete part
	837093	1	Clutch flange		Opposite revolution in relation to engine., , 163) D1=60mm
44	17178	2	Taper pin		For 837055
	(907661)	2	Taper pin		For 837093, Obsolete part
		2	engine mounts		See group 2A