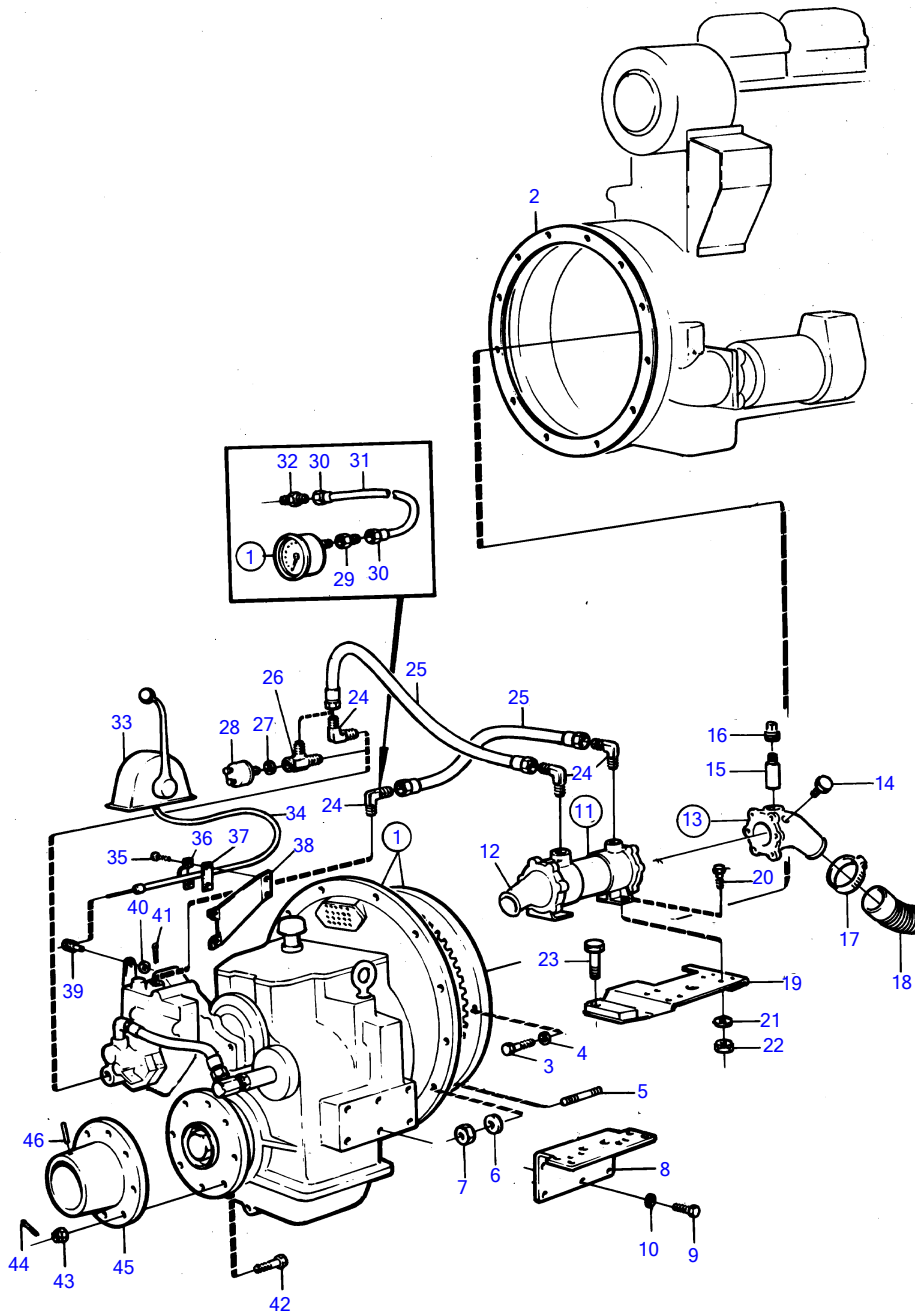


TAMD70E



7473

TAMD70E

REF	PART NO.	QTY	DESCRIPTION	SEE SEC.	NOTES
1		1	rev.gear, ratio 1,45:1		
		1	rev.gear, ratio 2,00:1		
		1	rev.gear, ratio 3,00:1		
		1	rev.gear, ratio 3,83:1		
		1	rev.gear, ratio 4,50:1		
		1	• components not spec.		
2	862623	1	Gasket		
3	940162	6	Hexagon screw		
4	942336	6	Spring washer		
5	953486	11	Stud		
	955536	1	Hexagon screw		
6	942336	12	Spring washer		
7	955827	11	Hexagon nut		
8	(837098)	2	Bracket		Obsolete part
9	955589	10	Hexagon screw		
10	941912	10	Spring washer		
11	837083	1	Oil cooler		
			•	16893	
12	806580	1	End plate		
13	(837129)	1	End cover		Obsolete part
14	180759	3	• Plug		
15	838929	1	• Anode		
16	838928	1	• Plug		
17	943479	X	Hose clamp		
18	343849	1	Radiator hose		
19	(847020)	1	Bracket		Obsolete part
20	940135	4	Hexagon screw		
21	941907	4	Spring washer		
22	955826	4	Hexagon nut		
23	955592	2	Hexagon screw		
24	837063	4	Elbow union		
25	848351	2	Hose		L=770mm
26	842717	1	Elbow union		
27	947624	1	Gasket		
28	837781	1	Oil pressure sensor		
29	(836064)	1	Nipple		Obsolete part
30	954320	2	Fitting nut		
31	(954303)	X	Tube		Obsolete part, L=5000mm
32	(954334)	1	Nipple		Obsolete part
33		X	control		See group 9
34		X	control cable		See group 9
35	950021	2	Cross recessed screw		
36	21471054	1	Bracket		
37	819068	1	Washer		
38	(836117)	1	Bracket		Obsolete part
39	(813674)	1	Cube		Obsolete part
40	940191	1	Washer		
41	907824	1	Split pin		
42	(955750)	6	Hexagon screw		Obsolete part, For 837055
	(955772)	8	Screw		Obsolete part, For 837093
43	955887	6	Castle nut		For 837055
	(955889)	8	Castle nut		Obsolete part, For 837093
44	907861	6	Split pin		For 837055
	907881	8	Split pin		For 837093
45	(837055)	1	Clutch flange		Obsolete part, Opposite revolution in relation to engine., ,167) D1=30mm
	837093	1	Clutch flange		Opposite revolution in relation to engine., ,163) D1=60mm
46	17178	2	Taper pin		For 837055
	(907661)	2	Taper pin		Obsolete part, For 837093
			engine mounts		See group 2A