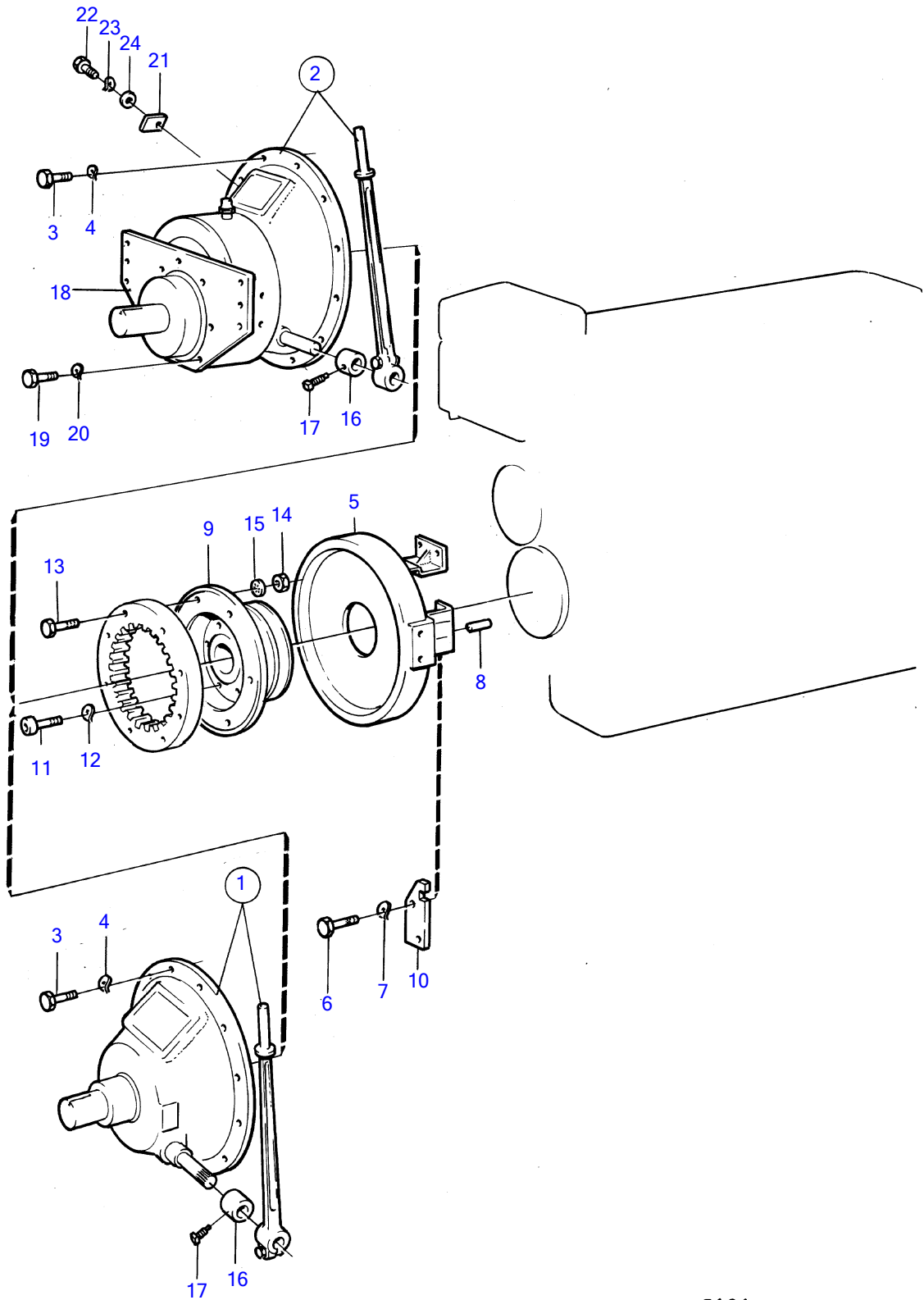


TAMD70E



5191

TAMD70E

REF	PART NO.	QTY	DESCRIPTION	NOTES
1	815263	1	Clutch	Rockford BW8"
			• components	See group 4D
	(849716)		Clutch	Repl by 849716
			• components	Obsolete part
	(849716)	1	Clutch, coupling components	See group 4D
			•	Rockford BW8", Obsolete part
	820802	1	Power take-off	See group 4D
			• components	Rockford BW 10"
2	(815261)	1	Reduction gear, reduction gear	See group 4D
			• components	Rockford BW 8", Obsolete part
	(820803)	1	Friction clutch, friction clutch	Ratio 2,8:1
			• components	See group 4D
3	940115	12	Hexagon screw	Rockford BW 10"
4	942336	12	Spring washer	See group 4D
5	(820020)	1	Bell housing	Obsolete part
6	955533	5	Hexagon screw	L=102mm
	959794	1	Hexagon screw	L=127mm
7	941907	6	Spring washer	
8	941510	2	Pin	
9	844698	1	Companion flange	
	(844694)	1	Dog	For clutch 820803., Obsolete part
	844693	1	Companion flange	For clutch 820802.
10	(844710)	1	Retainer	Obsolete part
11	(956607)	8	Hex. socket screw	Obsolete part
	(956608)	8	Hex. socket screw	For clutch 820802., For clutch 820803., Obsolete part
12	941909	8	Spring washer	
	941909	8	Spring washer	For clutch 820802., For clutch 820803.
13	(803672)	6	Screw	Obsolete part
	955536	8	Hexagon screw	For clutch 820802., For clutch 820803.
14	955827	6	Hexagon nut	
	955827	8	Hexagon nut	For clutch 820802., For clutch 820803.
15	955950	6	Toothed washer	
	955950	8	Toothed washer	For clutch 820802., For clutch 820803.
16	803612	2	Stop ring	
17	(915590)	2	Set screw	Obsolete part
18	(815454)	1	Attaching plate	For clutch 815261., Obsolete part
	(820682)	1	Bracket	For clutch 820803., Obsolete part
19	955525	8	Hexagon screw	For clutch 815261.
	940135	8	Hexagon screw	For clutch 820803.
20	941907	8	Spring washer	For clutch 820803., For clutch 815261.
21	(814927)	1	Cover	For clutch 815261., Obsolete part
22	950021	1	Cross recessed screw	For clutch 815261.
23	941905	1	Spring washer	For clutch 815261.
24	940090	1	Washer	For clutch 815261.