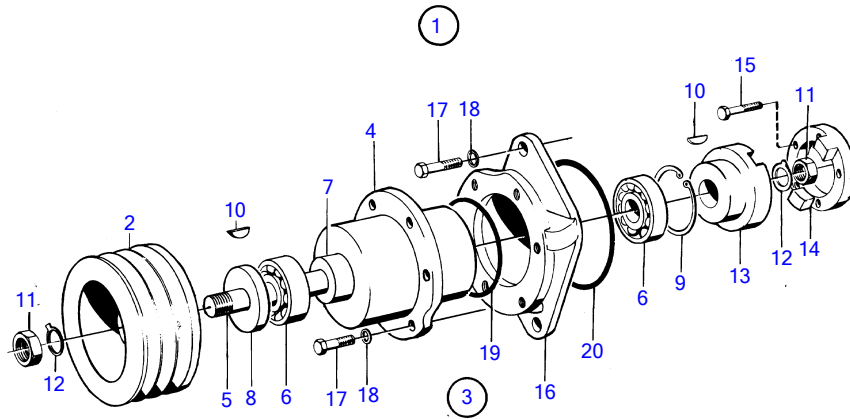
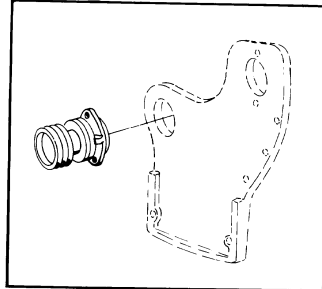


TAMD70D, TAMD70E



6787

## TAMD70D, TAMD70E

| REF | PART NO. | QTY | DESCRIPTION         | NOTES         |
|-----|----------|-----|---------------------|---------------|
| 1   | 821285   | 1   | Drive outlet        |               |
| 2   | 821065   | 1   | • Pulley            | D=116mm       |
| 3   | 821066   | 1   | • Drive outlet      |               |
| 4   | 821067   | 1   | • • Bearing housing |               |
| 5   | 821068   | 1   | • • Shaft           |               |
| 6   | 11013    | 2   | • • Ball bearing    |               |
| 7   | 821072   | 1   | • • Spacer sleeve   |               |
| 8   | 958993   | 1   | • • Sealing ring    |               |
| 9   | 914533   | 1   | • • Snap ring       |               |
| 10  | 942406   | 2   | • • Woodruff key    |               |
| 11  | 955860   | 2   | • • Hexagon nut     |               |
| 12  | 942735   | 2   | • • Tab washer      |               |
| 13  | 820960   | 1   | • Dog clutch        |               |
| 14  | 821071   | 1   | • Companion flange  |               |
| 15  | 955513   | 4   | • Hexagon screw     |               |
| 16  | (820833) | 1   | • Spacer            | Obsolete part |
| 17  | 940115   | 6   | • Hexagon screw     |               |
| 18  | 942336   | 6   | • Spring washer     |               |
| 19  | 925095   | 1   | • O-ring            |               |
| 20  | 420213   | 1   | • Seal              |               |