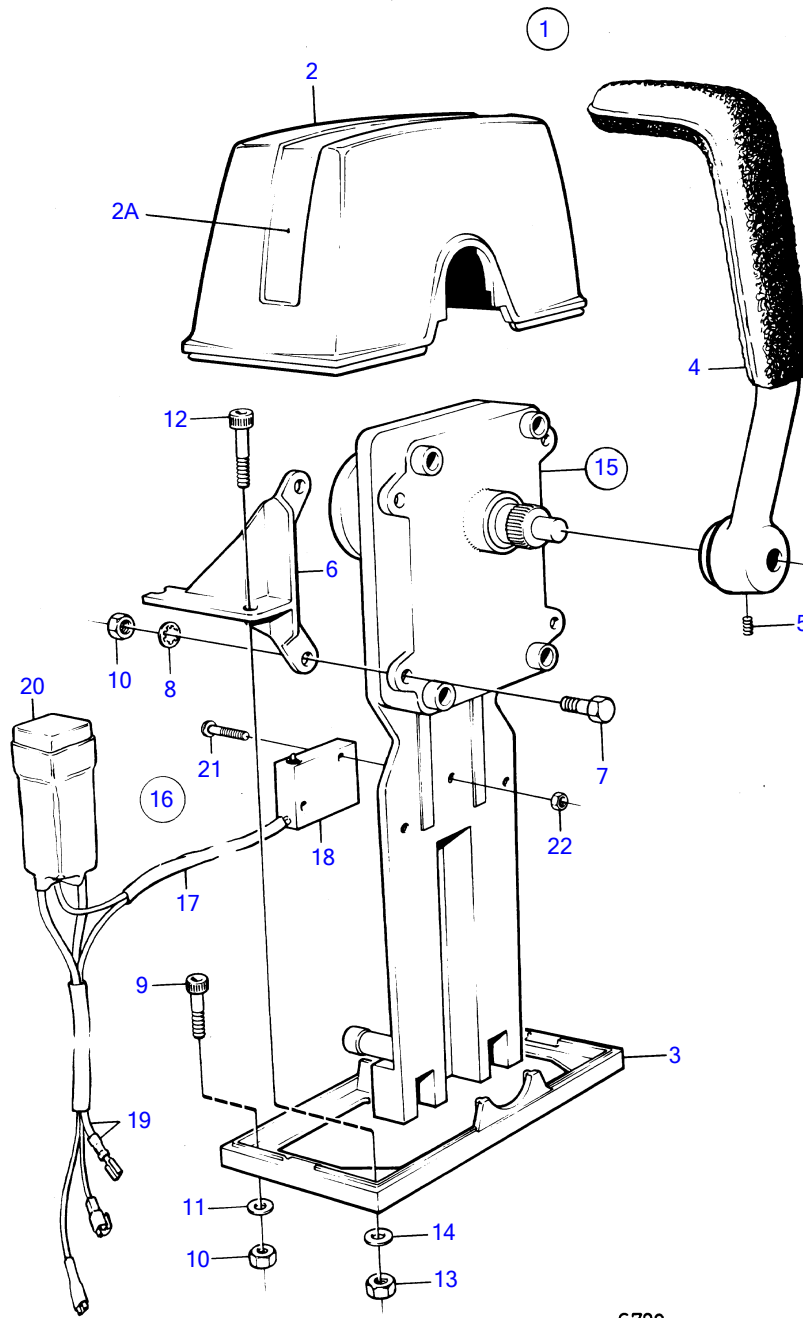


AQD70D, TAMD70D, TAMD70E



6788

AQD70D, TAMD70D, TAMD70E

REF	PART NO.	QTY	DESCRIPTION	NOTES
1	839471	1	Mounting kit	For twin engine installation., Ers av 1st 851603 components not spec.
2	839477	1	• Cover	
2A		1	• Decal	
3	839479	1	• Plate	
4	839475	2	• Hand lever	
5	946786	2	• Lock screw	M5, Obsolete part
	839693	2	• Lock screw	M8
6	839480	2	• Bracket	Marked 839480, Obsolete part
	839481	2	• Bracket	Marked 839481, Obsolete part
7	955244	8	• Hexagon screw	
8	955946	8	• Toothed washer	Obsolete part
9	947671	2	• Hex. socket screw	
10	955780	10	• Hexagon nut	
11	960138	2	• Washer	
12	947672	4	• Hex. socket screw	
13	955781	4	• Hexagon nut	
14	960139	4	• Washer	
15	839469	2	Control	Repl by 851001
		2	control comps not spec.	Ers av for sidemounting 1st 851601, for top- mounting 1st 851600
			•	
	851601	2	Control, control components not spec.	
			•	
	851600	2	Control, control components not spec.	
			•	
16	855352	2	Neutral position con	
17	839619	2	• Cable kit	Obsolete part
18	850200	2	• • Toggle switch	
19		X	• • cables and terminals relay	See group 3
20	1501832	2	• Relay	
21	946177	4	• Cross recessed screw	
22	947536	4	• Hexagon nut	