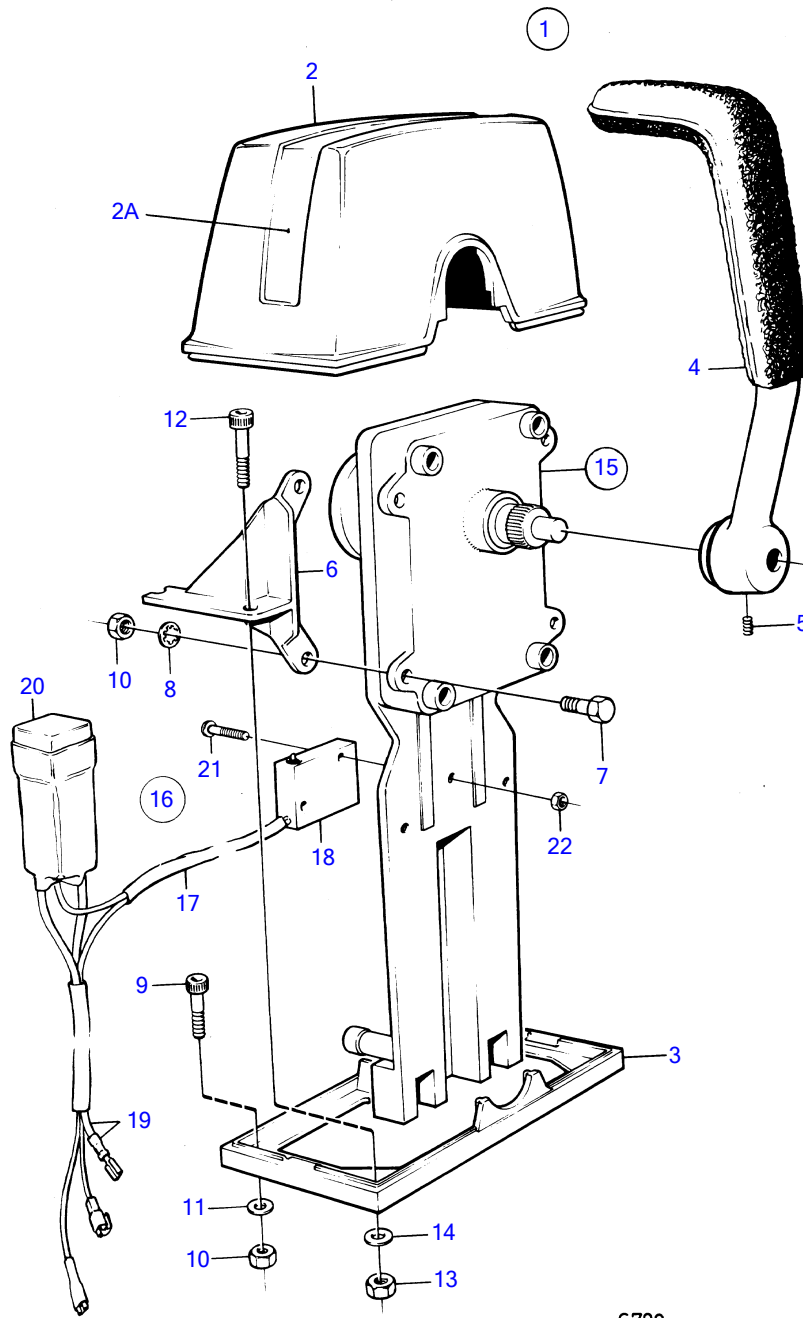


AQD70D, TAMD70D, TAMD70E



6788

AQD70D, TAMD70D, TAMD70E

REF	PART NO.	QTY	DESCRIPTION	SEE SEC.	NOTES
1	839470	1	Mounting kit		For single engine installation., Ers av 1st 851602 components not spec.
2	839472	1	• Cover		
2A		1	• Decal		
3	839474	1	• Plate		
4	839475	1	• Hand lever		
5	(946786)	1	• Lock screw		M5, Obsolete part
	839693	1	• Lock screw		M8
6	(839480)	1	• Bracket		Marked 839480, Obsolete part
	(839481)	1	• Bracket		Marked 839481, Obsolete part
7	955244	4	• Hexagon screw		
8	(955946)	4	• Toothed washer		Obsolete part
9	947671	2	• Hex. socket screw		
10	955780	6	• Hexagon nut		
11	960138	2	• Washer		
12	947672	2	• Hex. socket screw		
13	955781	2	• Hexagon nut		
14	960139	2	• Washer		
15	839469	1	Control		Repl by 851001
			•	16925	
		1	control comps not spec.		Ers av for sidemounting 1st 851601, for top- mounting 1st 851600
			•		
	851601	1	Control, control components not spec.		
			•		
	851600	1	Control, control components not spec.		
			•		
16	855352	1	Neutral position con		
17	(839619)	1	• Cable kit		Obsolete part
18	850200	1	• • Toggle switch		
19		X	• • cables and terminals relay		See group 3
20	1501832	1	• Relay		
21	946177	2	• Cross recessed screw		
22	947536	2	• Hexagon nut		