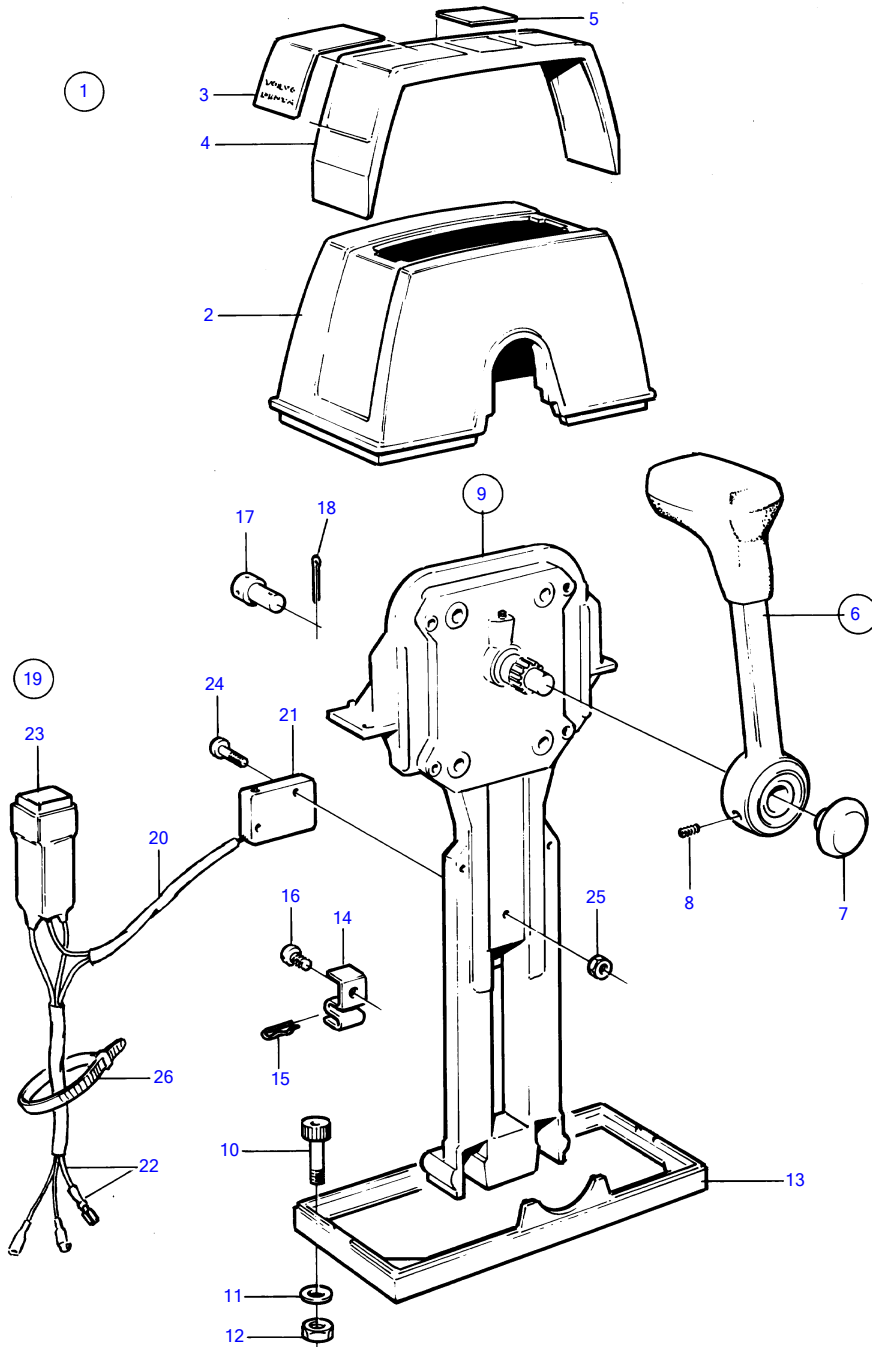


AQD70D, TAMD70D, TAMD70E



7470

AQD70D, TAMD70D, TAMD70E

| REF | PART NO. | QTY | DESCRIPTION | NOTES |
|-----|----------|-----|--------------------------|---------------|
| 1 | 853169 | 1 | Mounting kit | Twin |
| 2 | 851885 | 1 | • Cover | Obsolete part |
| 3 | 851895 | 2 | • Decal | |
| 4 | | 1 | • Crossbar | |
| 5 | 851897 | 1 | • Decal | |
| 6 | 852347 | 2 | • Hand lever | |
| 7 | 853004 | 2 | • • Push button | |
| 8 | 963678 | 2 | • • Hex. socket screw | |
| 9 | 851600 | 2 | • Control | |
| 10 | 947671 | 4 | • Hex. socket screw | |
| 11 | 960138 | 4 | • Washer | |
| 12 | 955780 | 4 | • Hexagon nut | |
| 13 | 839479 | 1 | • Plate | |
| 14 | 853423 | 2 | • Retainer | |
| 15 | 852924 | 2 | • Clip | |
| 16 | 839664 | 2 | Screw | |
| 17 | 839638 | 2 | Cube | |
| 18 | 17253 | 2 | Split pin | |
| 19 | 855352 | 2 | Neutral position con | |
| 20 | 839619 | 2 | • Cable kit | Obsolete part |
| 21 | 850200 | 2 | • • Toggle switch | |
| 22 | | X | • • cables and terminals | |
| 23 | 1501832 | 2 | • Relay | |
| 24 | 946177 | 4 | • Cross recessed screw | |
| 25 | 947536 | 4 | • Hexagon nut | |
| 26 | 948210 | X | • Cable tie | |