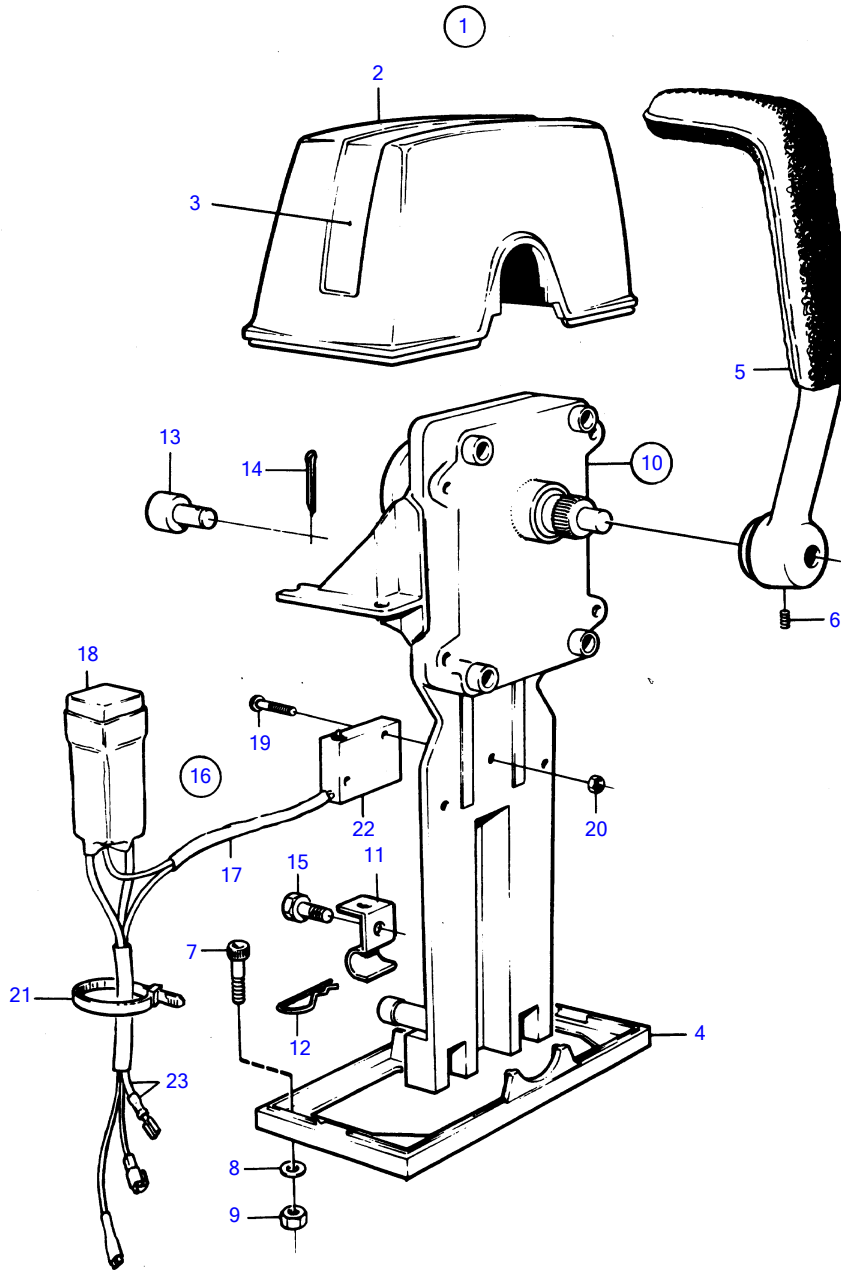


AQD70D, TAMD70D, TAMD70E



7469

AQD70D, TAMD70D, TAMD70E

REF	PART NO.	QTY	DESCRIPTION	NOTES
1	851603	1	Mounting kit	Twin
2	839477	1	• Cover	
3		1	• Decal	
4	839479	1	• Plate	
5	839475	2	• Hand lever	
6	839693	2	• Lock screw	
7	947671	4	• Hex. socket screw	
8	960138	4	• Washer	
9	955780	4	• Hexagon nut	
10	851600	2	Control	
11	853423	2	• Retainer	
12	852924	2	• Clip	
13	839638	2	• Cube	
14	17253	2	• Split pin	
15	839664	2	Screw	
16	855352	2	Neutral position con	
17	839619	2	• Cable kit	Obsolete part
18	1501832	2	• Relay	
19	946177	4	• Cross recessed screw	
20	947536	4	• Hexagon nut	
21	948210	X	• Cable tie	
22	850200	2	• Toggle switch	
23		X	cables and terminals	See group 3