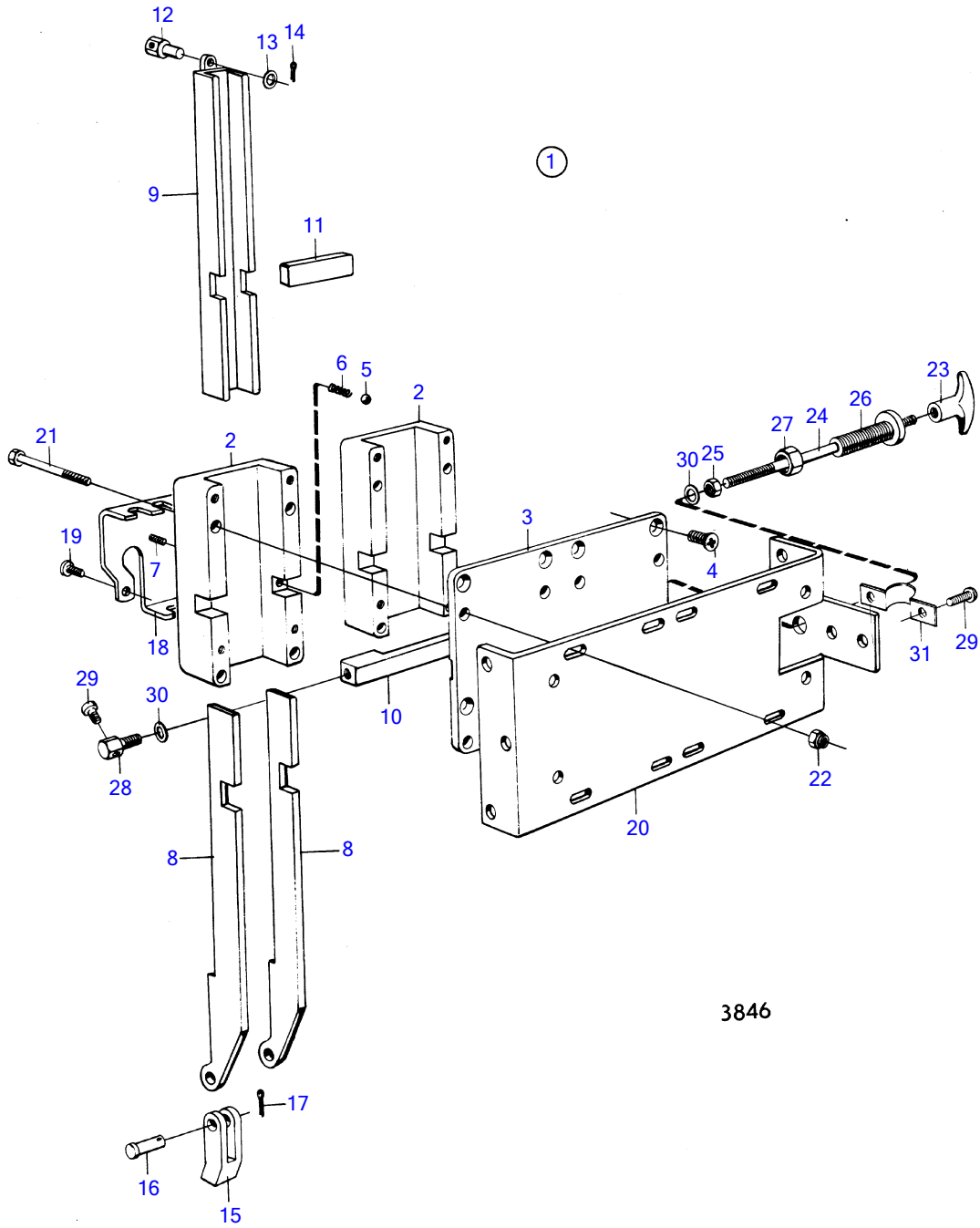


AQD70D, TAMD70D, TAMD70E



3846

## AQD70D, TAMD70D, TAMD70E

REF	PART NO.	QTY	DESCRIPTION	NOTES
1	839291	1	Collector	Obsolete part
2		4	• housing	
3		2	• cover	
4	950122	16	• Cross recessed sunk	Obsolete part
5	26694	2	• Ball	
6	88333	2	• Compression spring	Obsolete part
7	961248	2	• Screw	Obsolete part
8		8	• lever	
9		4	• lever	
10		2	• sliding catch	
11		4	• lock cylinder	
12	814082	4	• Cube	
13	955893	4	• Washer	
14	17276	4	• Split pin	
15	839339	8	• Fork	Obsolete part
16	832824	8	• Dowel	Obsolete part
17	17253	8	• Split pin	
18		4	•	
19	950020	8	• Cross recessed screw	Obsolete part
20		1	• bracket	
21	955283	4	• Hexagon screw	
22	963105	4	• Lock nut	
23	829241	1	• Handle	
24	839295	1	• Pull rod	Obsolete part
25	955844	1	• Hexagon nut	
26		1	•	
27	940140	1	• Hexagon nut	Obsolete part
28		1	•	
29	940095	3	• Screw	Obsolete part
30	192292	2	• Washer	Obsolete part
31		1	•	