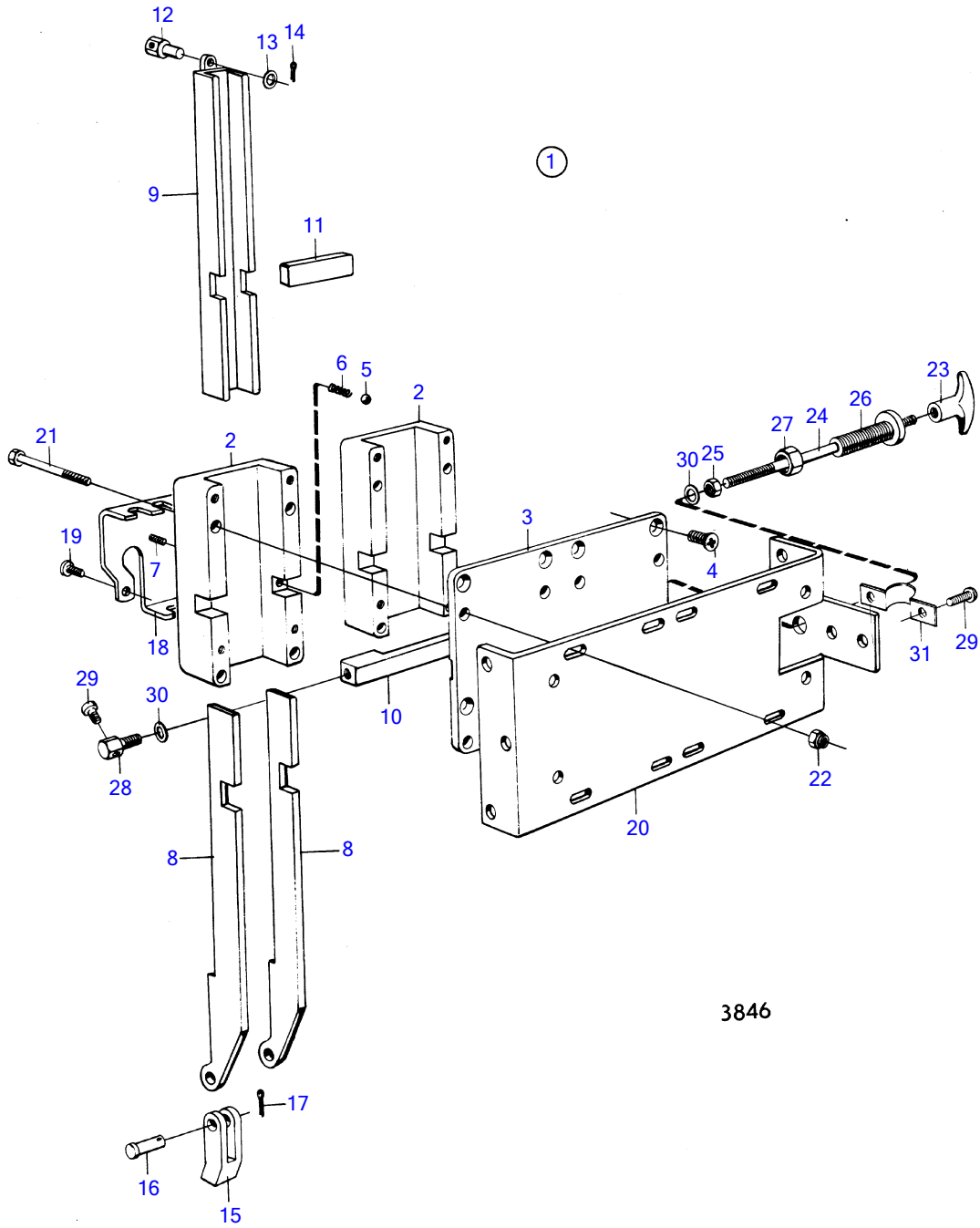


AQD70D, TAMD70D, TAMD70E



3846

AQD70D, TAMD70D, TAMD70E

REF	PART NO.	QTY	DESCRIPTION	NOTES
1		1		
2		2	• housing	
3		1	• cover	
4	(950122)	8	• Cross recessed sunk	Obsolete part
5	26694	1	• Ball	
6	(88333)	1	• Compression spring	Obsolete part
7	(961248)	1	• Screw	Obsolete part
8		4	• lever	
9		2	• lever	
10		1	• sliding catch	
11		2	• lock cylinder	
12	814082	2	• Cube	
13	955893	2	• Washer	
14	17276	2	• Split pin	
15	(839339)	4	• Fork	Obsolete part
16	(832824)	4	• Dowel	Obsolete part
17	17253	4	• Split pin	
18		2	•	
19	(950020)	4	• Cross recessed screw	Obsolete part
20		1	• bracket	
21	(955277)	4	• Hexagon screw	Obsolete part
22	963105	4	• Lock nut	
23	829241	1	• Handle	
24	(839295)	1	• Pull rod	Obsolete part
25	955844	1	• Hexagon nut	
26		1	•	
27	(940140)	1	• Hexagon nut	Obsolete part
28		1	•	
29	(940095)	1	• Screw	Obsolete part
30	(192292)	2	• Washer	Obsolete part