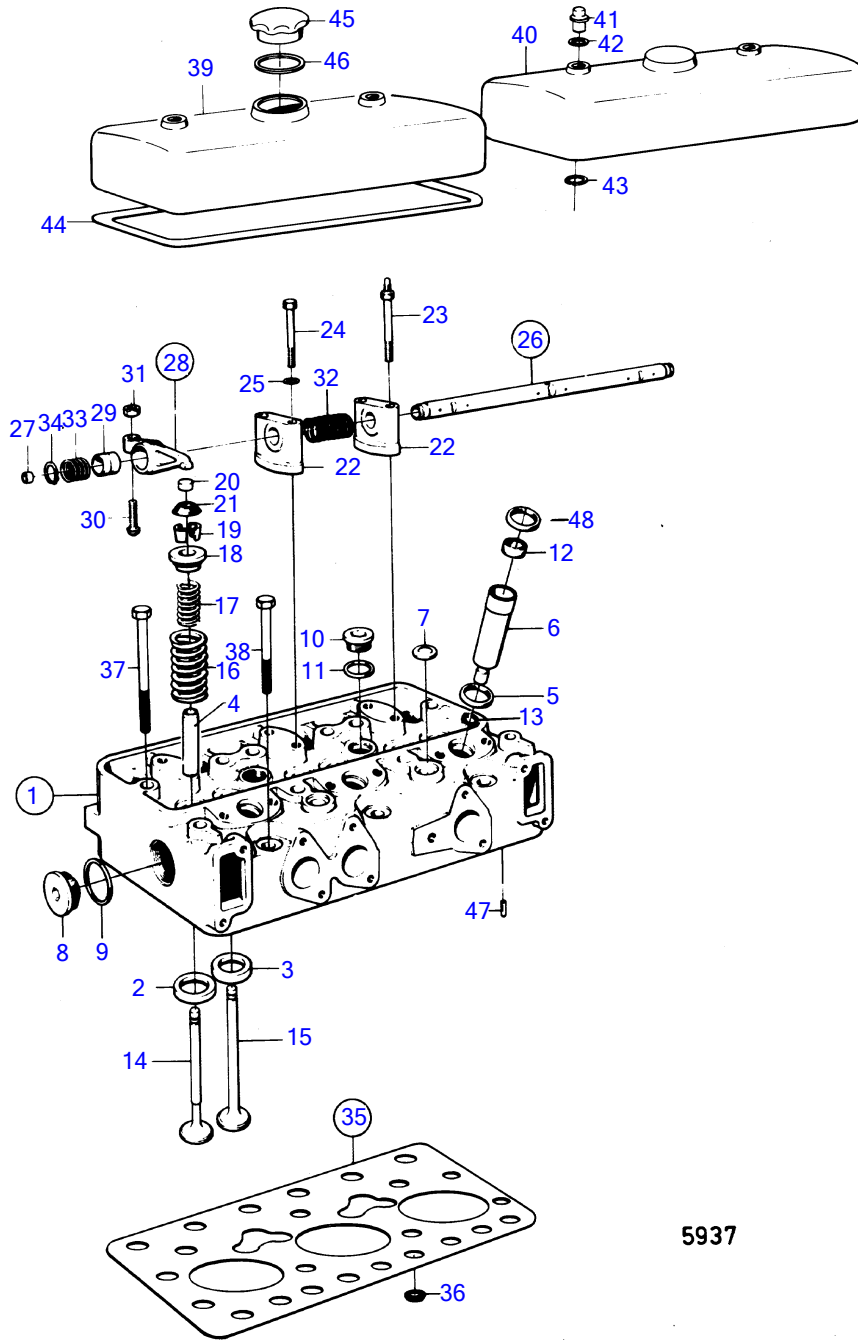


AQD70D, TAMD70D, TAMD70E



5937

## AQD70D, TAMD70D, TAMD70E

REF	PART NO.	QTY	DESCRIPTION	NOTES
1	3803033	2	Cylinder head, exch	(466549)
2	421011	6	• Valve seat	Std D
	421316	6	• Valve seat	0,20mm o.s
3	466266	6	• Valve seat	Std D
	466307	6	• Valve seat	0,20mm o.s
4	466386	12	• Valve guide	
5	466405	6	• Sealing ring	
6	276130	6	• Copper sleeve kit	
7	477026	2	• Expansion plug	(192426)
8	467367	4	• Plug	
9	469328	4	• Gasket	
10	(466230)	4	• Plug	Obsolete part
11	420166	4	• Gasket	
12	466420	6	• Ring	
13	466922	6	• O-ring	
14	844594	6	• Inlet valve	
15	842080	6	• Exhaust valve	
16	466384	12	• Valve spring	
17	466383	12	• Valve spring	
18	466382	12	• Valve spring washer	
19	468305	24	• Valve cotter	
20	478074	12	• Valve cap	
21	469456	12	• Protecting ring	
22	477384	6	Bearing bracket	(421416)
23	420270	4	Stud	
24	955540	8	Hexagon screw	
25	942336	8	Spring washer	
26	(421019)	2	Shaft	Obsolete part
27	946778	4	• Cap plug	
28	422063	12	Rocker arm	
29	422066	12	• Bushing	
30	422993	12	• Ball stud	(423058)
31	940175	12	• Hexagon nut	
32	421173	4	Spring	
33	(421172)	4	Spring	Obsolete part
34	914459	4	Snap ring	
35	275525	2	Cylinder head gasket	
36	422414	12	• Sealing ring	D=32mm
	466421	16	• Sealing ring	D=16mm
	422413	2	Sealing ring	D=11mm
37	421218	20	Flange screw	L=168mm
38	466764	6	Flange screw	L=118mm
39	(421063)	1	Cover	Obsolete part
40	(421065)	1	Cover	Obsolete part
41	424341	4	Cap nut	
42	469846	4	Sealing ring	
43	914449	4	Snap ring	
44	421066	2	Gasket	
45	421753	1	Oil filler cap	(420292)
46	1275379	1	Gasket	(940096)
47	(949020)	4	Pin	Obsolete part
48	469455	6	Sealing ring	