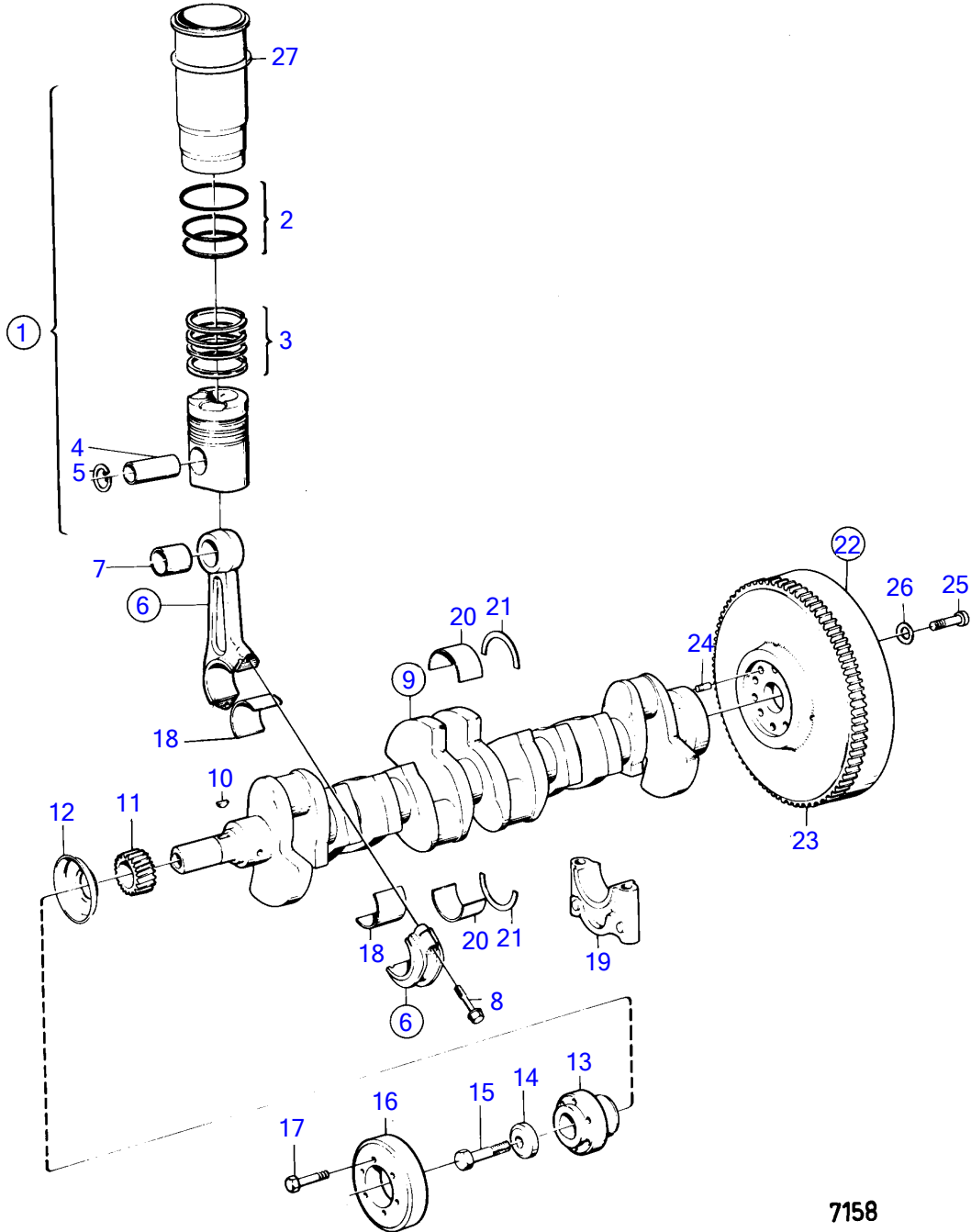


TAMD70E



7158

TAMD70E

REF	PART NO.	QTY	DESCRIPTION	SEE SEC.	NOTES
1	875677	6	Cylinder liner kit		
2	275735	6	• Sealing ring kit		
3	275375	6	• Piston ring kit		
4	421033	6	• Piston pin		Std D
	(421300)	6	• Piston pin		0,05mm o.s, Obsolete part
	(421302)	6	• Piston pin		0,20mm o.s, Obsolete part
5	914525	12	• Snap ring		
6	843678	6	Connecting rod		
7	471364	6	• Bushing		
8	420126	12	• Connecting rod bolt		
9	(847998)	1	Crankshaft		Obsolete part
10	422253	1	• Woodruff key		
11	(421080)	1	Crankshaft gear	16796	Obsolete part
12	(420172)	1	Oil deflector	16796	Obsolete part
13	(836304)	1	Hub		Obsolete part
14	420124	1	Washer		
15	417464	1	Screw		
16	(844675)	1	Vibration damper		Obsolete part
17	955548	8	Hexagon screw		
18	270115	6	Big-end bearing kit		Std D
	270116	6	Big-end bearing kit		0,25mm u.s
	270117	6	Big-end bearing kit		0,50mm u.s
	(270118)	6	Big-end bearing kit		0,75mm u.s, Obsolete part
	270119	6	Big-end bearing kit		1,00mm u.s
	(270120)	6	Big-end bearing kit		1.25mm u.s, Obsolete part
19		7	bearing cap	16807	
20	270432	7	Main bearing kit		Std D
	270433	7	Main bearing kit		0,25mm u.s
	270434	7	Main bearing kit		0,50mm u.s
	(270435)	7	Main bearing kit		0,75mm u.s, Obsolete part
	270436	7	Main bearing kit		1,00mm u.s
	270437	7	Main bearing kit		1,25mm u.s
21	276754	1	Thrust washer kit		Std D
	276755	1	Thrust washer kit		0,1mm o.s
	276756	1	Thrust washer kit		0,2mm o.s
	276757	1	Thrust washer kit		0,3mm o.s
22	848350	1	Flywheel		
23	420067	1	• Gear ring		
24	950677	1	Pin		
25	944710	6	Hexagon screw		
26	467773	6	Washer		
27	466114	X	Adjusting washer		TH=0.2mm
	466183	X	Adjusting washer		TH=0.3mm
	466184	X	Adjusting washer		TH=0.5mm