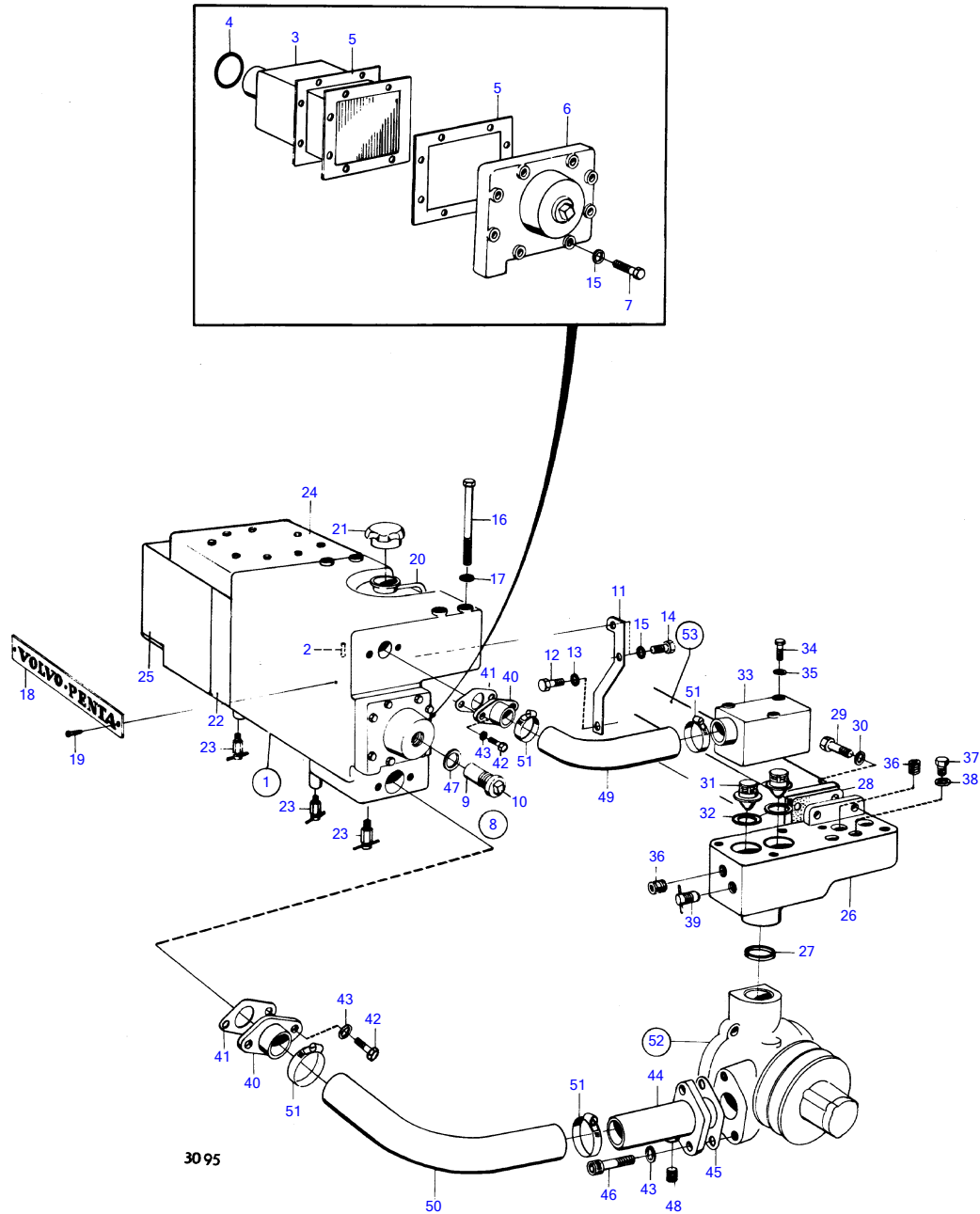


AQD70D, TAMD70D



AQD70D, TAMD70D

REF	PART NO.	QTY	DESCRIPTION	SEE SEC.	NOTES
1	824113	1	Housing		
2	951961	1	• Spring pin		
3	824287	1	Insert		
4	925091	1	O-ring		
5	824313	2	Gasket		
6	837721	1	End plate		
7	955526	8	Hexagon screw		
8	823660	2	Zinc electrode		
9	823661	2	• Zinc anode		
10	823662	2	• Plug		
11	(824305)	1	Bracket		Obsolete part
12	955560	1	Hexagon screw		
13	940280	1	Spring washer		
14	940135	2	Hexagon screw		
15	941907	10	Spring washer		
16	955533	4	Hexagon screw		
17	941907	4	Spring washer		
18	820232	1	Sign		
19	950210	3	Cross recessed screw		
20	192618	X	Hose		L=250mm
21	321973	1	Filler cap		
22		1	connection	16822	
23	82745	4	Shut-off cock		
24		1	cover	16822	
25		1	induction manifold and after cooler	16822	
26	(824136)	1	Thermostat housing		Obsolete part
27	420162	1	Seal	16816	
28	820604	1	Gasket		
29	940134	4	Hexagon screw		
30	941909	4	Spring washer		
31	875788	2	Thermostat kit		70°
	875787	2	Thermostat kit		76°
32	416033	2	Sealing ring		
33	(824235)	1	Cardboard tube		Obsolete part
34	955540	3	Hexagon screw		
35	942336	3	Spring washer		
36	952077	3	Plug		
37	180761	2	Plug		
38	11996	2	Gasket		
39	82744	1	Shut-off cock		
40	821032	2	Hose connection		
41	420171	2	Gasket		
42	955525	4	Hexagon screw		
43	941907	6	Spring washer		
44	(820800)	1	Riser		Obsolete part
45	420171	1	Gasket		
46	955525	1	Hexagon screw		L=25mm
	940159	1	Hexagon screw		L=32mm
47	836169	2	Gasket		
48	952077	1	Plug		
49	824292	1	Hose		
50	824293	1	Hose		
51	943479	4	Hose clamp		
52		1	circulation pump	16818	
53		1	exhaust manifold	16824	