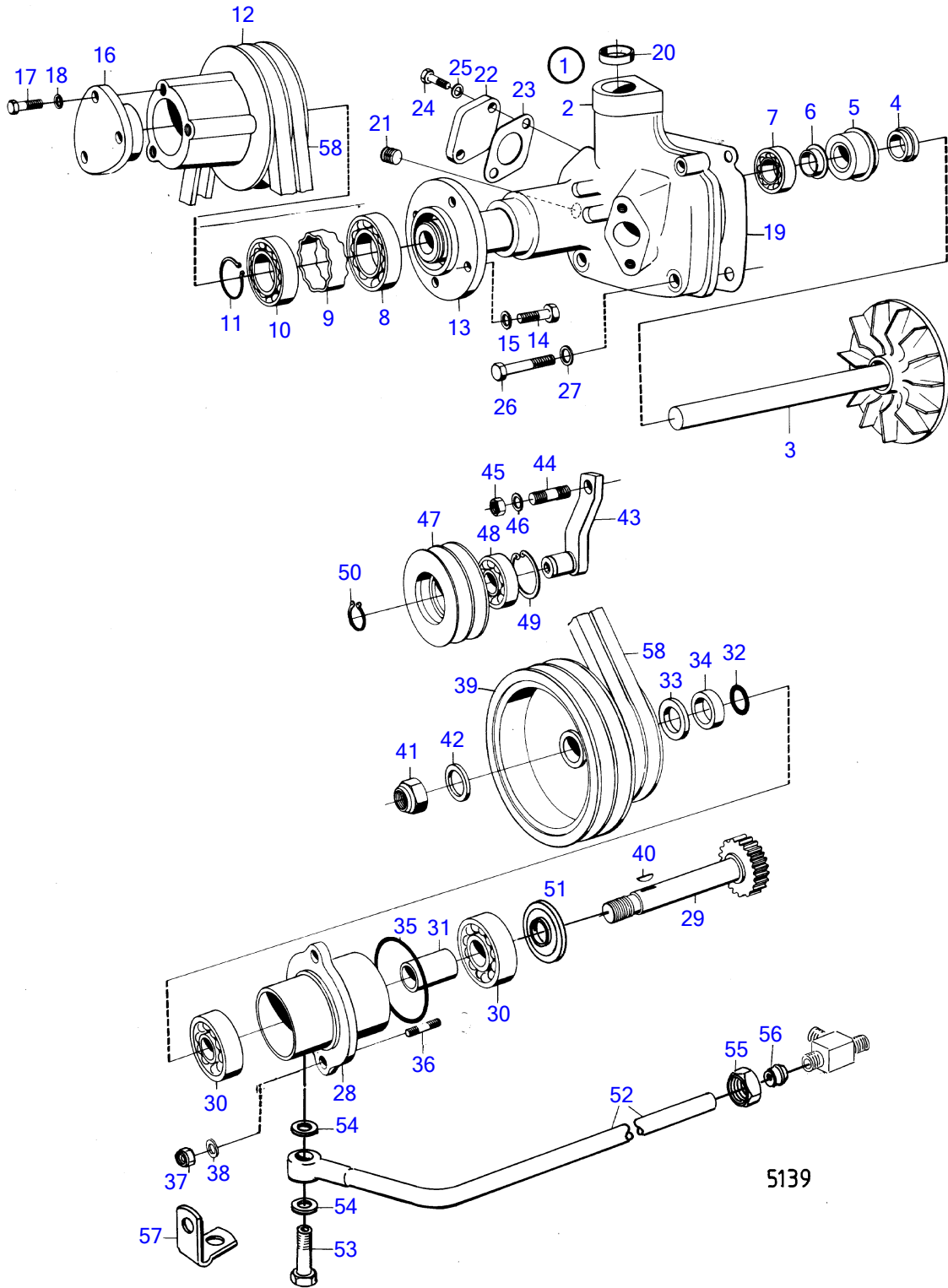


TAMD70D



TAMD70D

REF	PART NO.	QTY	DESCRIPTION	SEE SEC.	NOTES
1	843417	1	Water pump		
	3803211	1	Coolant pump, exch, exch		
2		1	• housing		
3	421148	1	• Shaft		
4	421306	1	• Wear ring		
5	1545283	1	• Sealing ring		
6	70913	1	• Deflector		
7	1660609	1	• Ball bearing		
8	181538	1	• Ball bearing		
9	823145	1	• Spacer sleeve		
10	19258	1	• Ball bearing		
11	914462	1	• Snap ring		
12	(843515)	1	• Pulley		Obsolete part
13	(823130)	1	• Companion flange		Obsolete part
14	955524	3	• Hexagon screw		
15	941907	3	• Spring washer		
16	(823131)	1	• Companion flange		Obsolete part
17	940135	3	• Hexagon screw		
18	941907	3	• Spring washer		
19	421215	1	• Gasket		
20	420162	1	• Seal		
			•	16831	
21	968145	1	• Plug		
22	(824339)	1	Flange		Obsolete part
23	420171	1	Gasket		Included in pump assy.
24	940135	2	Hexagon screw		
25	941907	2	Spring washer		
26	940161	6	Hexagon screw		
27	941907	6	Spring washer		
28	843661	1	Housing		
29	837704	1	Gear		
30	183731	2	Ball bearing		
31	(896605)	1	Spacer sleeve		Obsolete part
32	925059	1	O-ring		
33	896672	1	Spacer sleeve		
34	941899	1	Sealing ring		
35	949660	1	O-ring		
36	953259	2	Stud		
37	955827	2	Hexagon nut		
38	942336	2	Spring washer		
39	(843740)	1	Pulley		Obsolete part
40	909867	1	Flat key		
41	949399	1	Lock nut		
42	955900	1	Washer		
43	465473	1	Intermediate lever		
44	(953351)	1	Stud		Obsolete part
45	955828	1	Hexagon nut		
46	941911	1	Spring washer		
47	822551	1	V-belt pulley		
48	1544092	1	Ball bearing		
49	914533	1	Snap ring		
50	914462	1	Snap ring		
51	837705	1	Deflector		
52	843662	1	Pipe		
53	48634	1	Hollow screw		
54	957173	2	Gasket		
55	954356	1	Fitting nut		
56	954364	1	Sleeve		
57	(18301)	1	Attaching clamp		Obsolete part
58	958346	1	V-belt		
	875474	1	Overhaul kit		See group 10