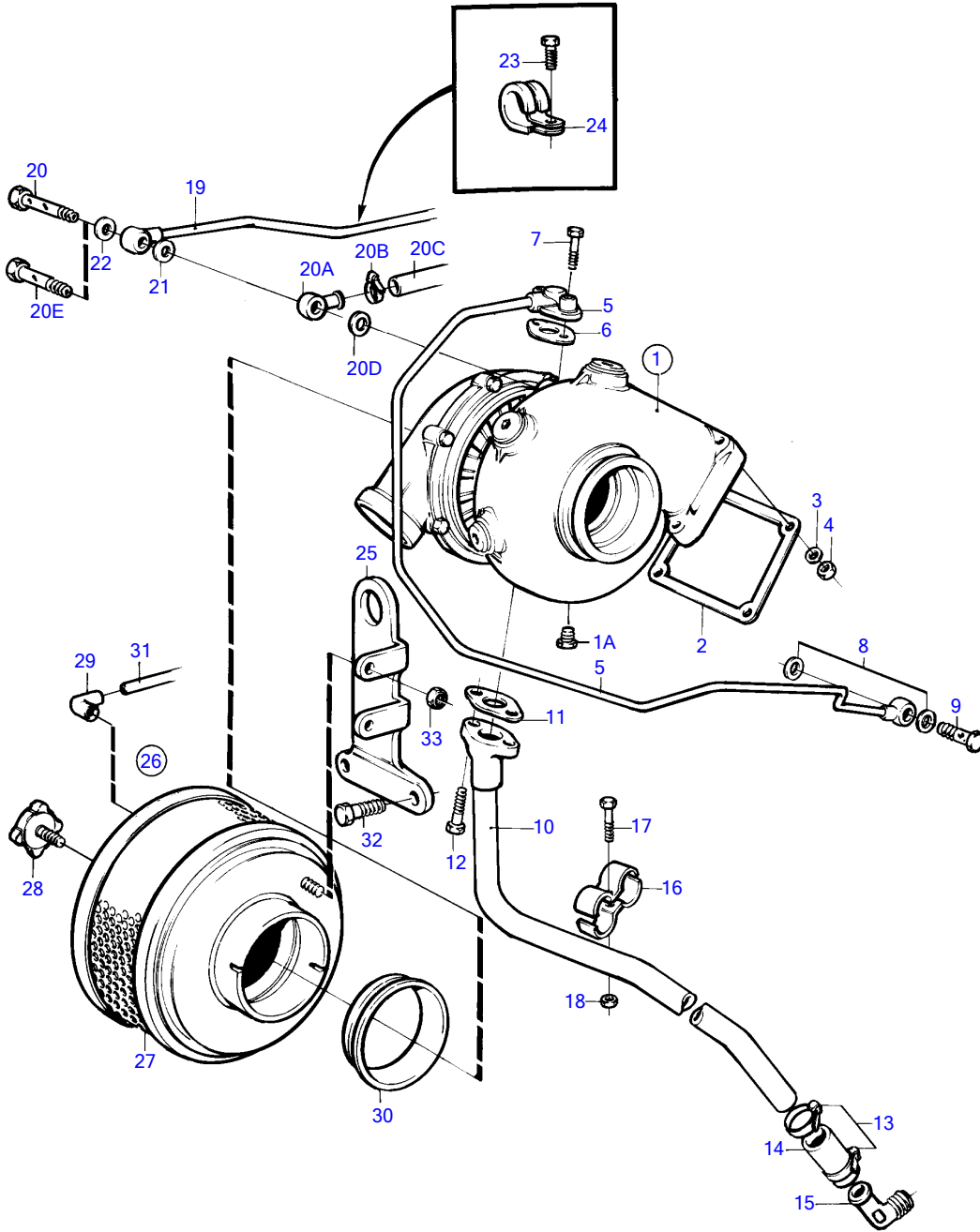


TAMD41D



11497

TAMD41D

| REF | PART NO. | QTY | DESCRIPTION | SEE SEC. | NOTES |
|-----|----------|-----|---------------------|----------|--|
| 1 | 860916 | 1 | Turbocharger | | Produkt no. 868672, 868673, 868674, 868675., H.D |
| | | | | 860 | |
| 1A | 192134 | 1 | Plug | | |
| 2 | 859111 | 1 | Gasket | | |
| 3 | 955895 | 4 | Washer | | |
| 4 | 940183 | 4 | Hexagon nut | | |
| 5 | 838869 | 1 | Oil pressure pipe | | |
| 6 | 420641 | 1 | Gasket | | |
| 7 | 945444 | 1 | Flange screw | | L=25mm |
| | 946671 | 1 | Flange screw | | L=30mm |
| 8 | 969011 | 2 | Gasket | | |
| 9 | 25167 | 1 | Hollow screw | | |
| 10 | 838820 | 1 | Oil return pipe | | |
| 11 | 860105 | 1 | Gasket | | |
| 12 | 945444 | 2 | Flange screw | | |
| 13 | 943474 | 2 | Hose clamp | | |
| 14 | 466328 | 1 | Rubber hose | | |
| 15 | 843879 | 1 | Elbow nipple | | |
| 16 | 820851 | 2 | Clamp | | |
| 17 | 968855 | 1 | Flange screw | | |
| 18 | 945407 | 1 | Flange nut | | |
| 19 | 860215 | 1 | Air vent hose | | Turbo-thermostat housing. |
| | 860215 | 1 | Air vent hose | | Turbo-thermostat housing., K.C |
| 20 | 947975 | 1 | Hollow screw | | Heat ex., M12 |
| | 858750 | 1 | Banjo nipple | | Heat ex. |
| | 945652 | 1 | Hose clamp | | Heat ex. |
| | 942700 | X | Hose | | Expansion tank-Turbo., Heat ex. |
| | 11994 | 1 | Gasket | | Heat ex. |
| 20E | | 1 | Hollow screw | | K.C |
| 21 | 11994 | 1 | Gasket | | |
| 22 | 11994 | 1 | Gasket | | |
| 23 | 965175 | 2 | Flange screw | | |
| 24 | 952624 | 2 | Clamp | | |
| 25 | 838829 | 1 | Bracket | | |
| 26 | 861434 | 1 | Air cleaner | | |
| | | | Bulletin 44-47 | 44-47-EN | New Air Filter for 31, 41 and TAMD42WJ Engines |
| 27 | 858488 | 1 | • Air filter insert | | |
| 28 | 859729 | 1 | • Knob | | |
| 29 | 861391 | 1 | • Protecting sleeve | | |
| 30 | 838855 | 1 | Sealing ring | | |
| 31 | 946234 | X | Tube | | L=380mm |
| 32 | 973083 | 2 | Flange screw | | |
| 33 | 945407 | 2 | Flange nut | | |