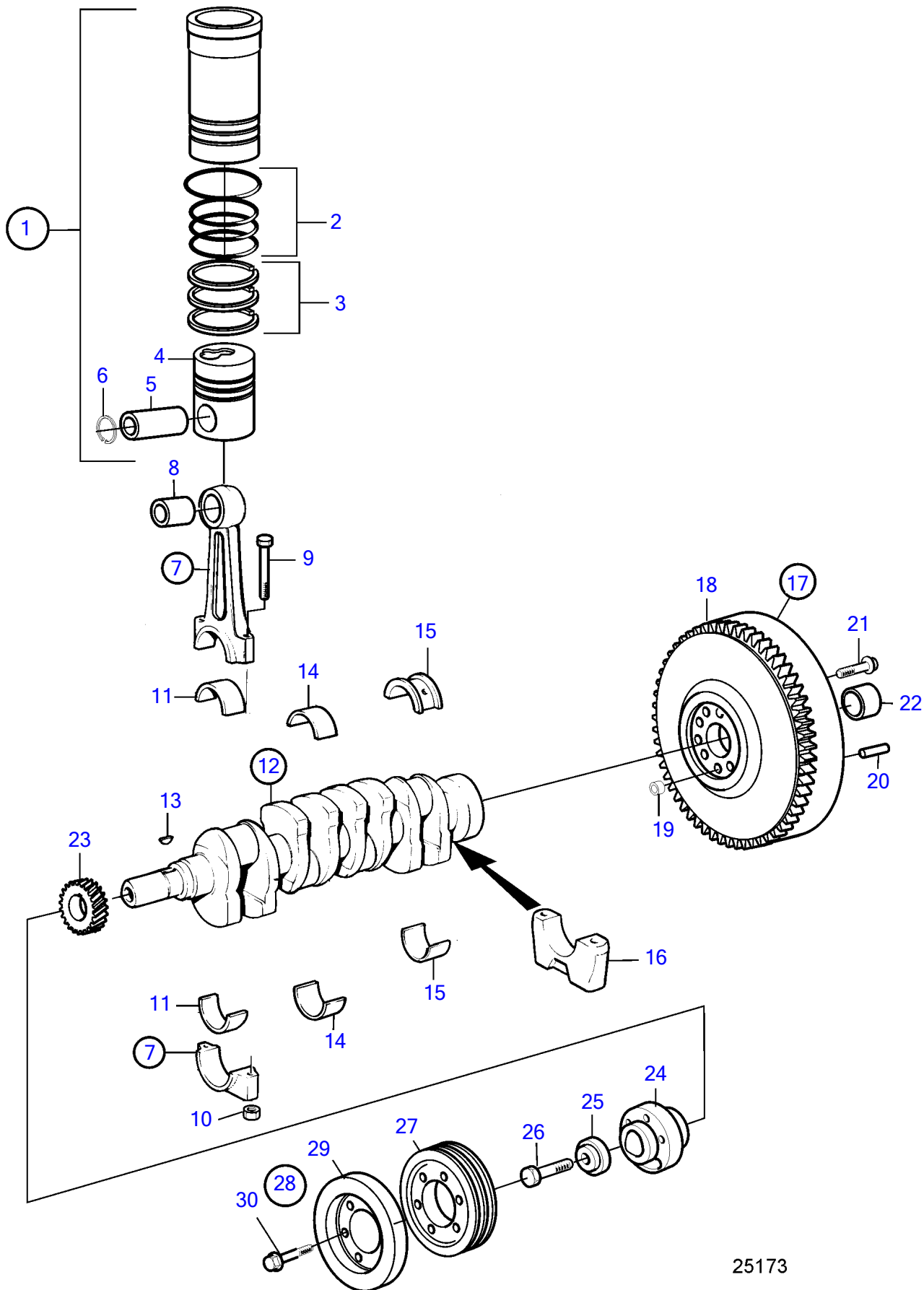


AD31L-A, AD31P-A



25173

AD31L-A, AD31P-A

REF	PART NO.	QTY	DESCRIPTION	NOTES
1	3817034	4	Cylinder liner kit	(3581714)
2	275751	1	• Sealing ring kit	
3	3817033	1	• Piston ring kit	
4		1	• Piston	
5	422793	1	• Piston pin	
6	914519	2	• Snap ring	
7	3581063	4	Connecting rod	
8	3581021	1	• Bushing	
9	1542077	2	• Connecting rod bolt	
10	1542078	2	• Nut	
11	876511	4	Big-end bearing kit	Std D
	876512	4	Big-end bearing kit	U.S=0,25mm
	876513	4	Big-end bearing kit	U.S=0.50mm
	876514	4	Big-end bearing kit	U.S=0.75mm
12	3582849	1	Crankshaft	
13	910118	1	• Woodruff key	
14	876515	4	Main bearing kit	Std D
	876516	4	Main bearing kit	U.S=0,25mm
	876517	4	Main bearing kit	U.S=0,50mm
	876518	4	Main bearing kit	U.S=0,75mm
15	876519	1	Thrust bearing	Std D
	876520	1	Thrust bearing	O.S=0,10mm/U.S=0,25mm
	876521	1	Thrust bearing	O.S=0,20mm/U.S=0,50mm
	876522	1	Thrust bearing	O.S=0,20mm/U.S=0,75mm
16		5	Main bearing cap	
17	3582705	1	Flywheel	
18	829462	1	• Ring gear	
19	415311	1	• Guide sleeve	
20	191873	3	• Locating pin	
21	861671	1	Repair kit	The kit includes 8 pcs screw., Shall not be used together with bolt plate 1542093.
22	872761	1	Bushing	AD31/DP
23	1542305	1	Gear	
24	1542196	1	Hub	
25	420124	1	Washer	
26	470366	1	Screw	
27	859614	1	Pulley	
28	877409	1	Vibration damper	
29	3583677	1	• Vibration damper	
30	983745	6	• Flange screw	

7742700-21-9838

25173

Upd:2011-09-28