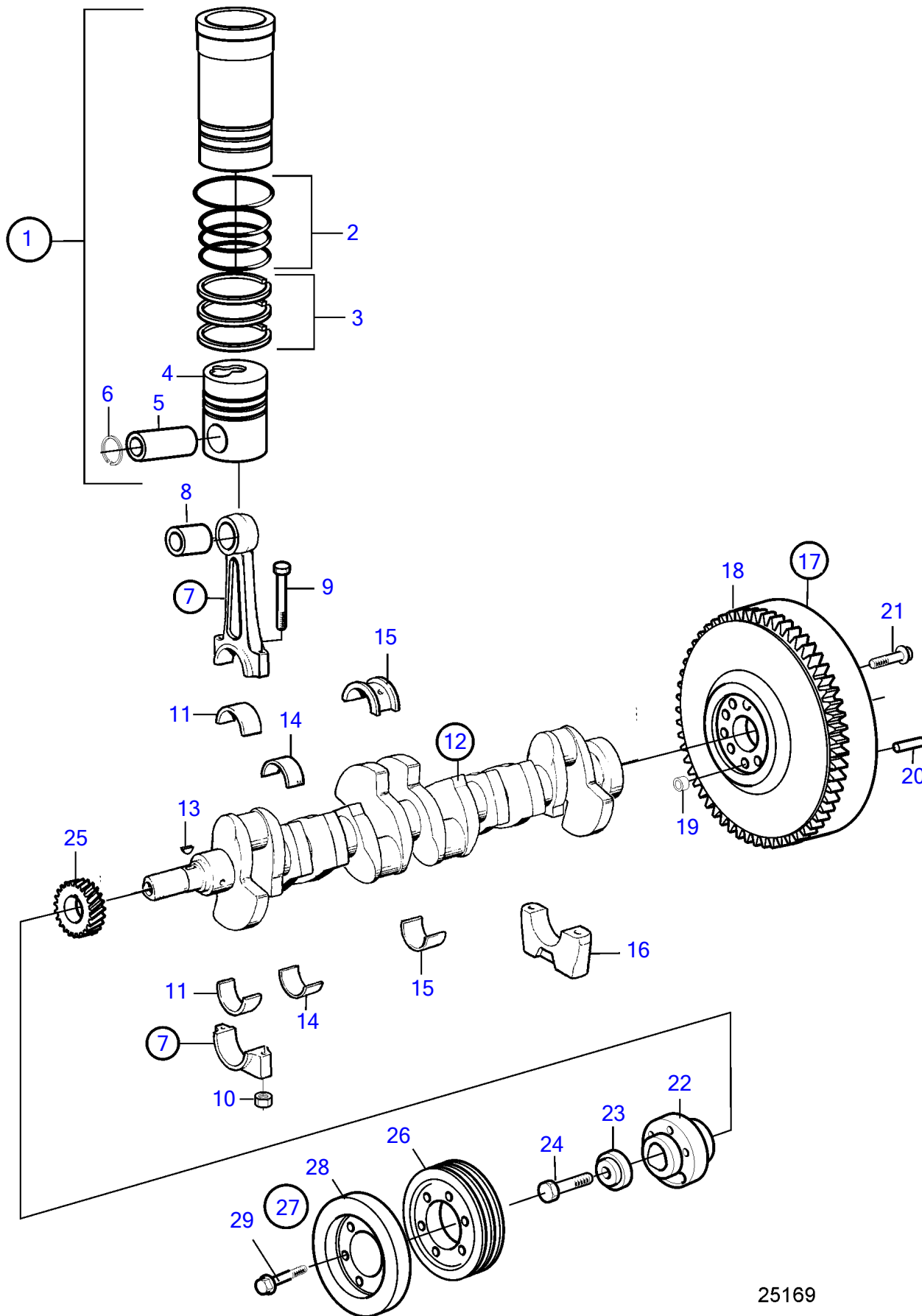


TMD41L-A



25169

TMD41L-A

REF	PART NO.	QTY	DESCRIPTION	NOTES
1	3817034	6	Cylinder liner kit	(3581714)
2	275751	1	• Sealing ring kit	
3	3817033	1	• Piston ring kit	
4		1	• Piston	
5	422793	1	• Piston pin	
6	914519	2	• Snap ring	
7	3581063	6	Connecting rod	
8	3581021	1	• Bushing	
9	1542077	2	• Connecting rod bolt	
10	1542078	2	• Nut	
11	876511	6	Big-end bearing kit	Std D
	876512	6	Big-end bearing kit	U.S=0,25mm
	876513	6	Big-end bearing kit	U.S=0,50mm
	876514	6	Big-end bearing kit	U.S=0,75mm
12	3582850	1	Crankshaft	
13	910118	1	• Woodruff key	
14	876515	6	Main bearing kit	Std D
	876516	6	Main bearing kit	U.S=0,25mm
	876517	6	Main bearing kit	U.S=0,50mm
	876518	6	Main bearing kit	U.S=0,75mm
15	876519	1	Thrust bearing	Std D
	876520	1	Thrust bearing	O.S=0,10mm/U.S=0,25mm
	876521	1	Thrust bearing	O.S=0,20mm/U.S=0,50mm
	876522	1	Thrust bearing	O.S=0,20mm/U.S=0,75mm
16		7	Main bearing cap	
17	3582705	1	Flywheel	HS1A
18	829462	1	• Ring gear	
19	415311	1	• Guide sleeve	
20	191873	3	• Locating pin	
21	861671	1	Repair kit	The kit includes 8 pcs screw., Shall not be used together with bolt plate 1542093.
22	1542196	1	Hub	
23	420124	1	Washer	
24	470366	1	Screw	
25	1542305	1	Gear	
26	859614	1	Pulley	
27	877409	1	Vibration damper	
28	3583677	1	• Vibration damper	
29	983745	6	• Flange screw	