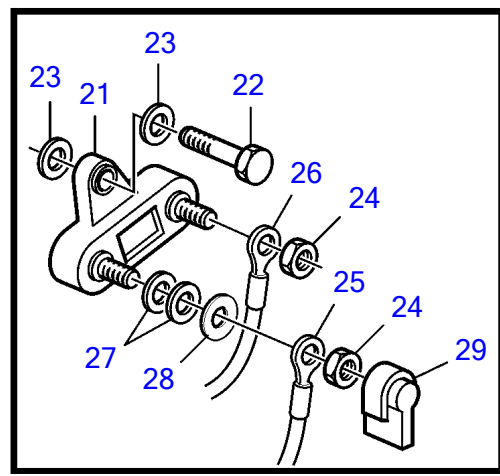
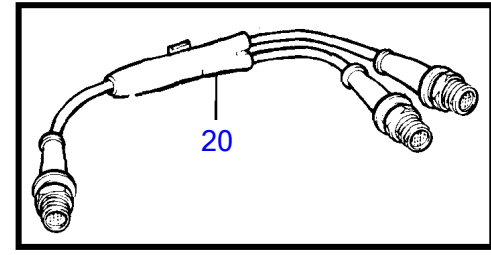
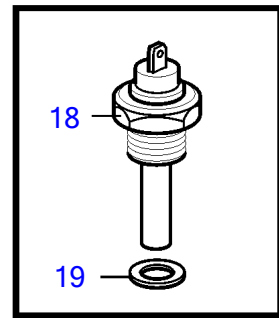
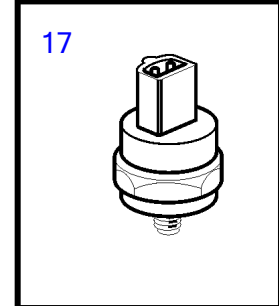
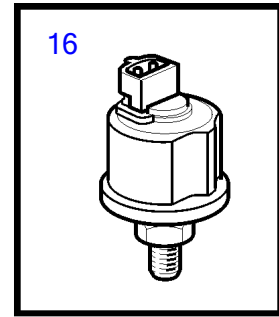
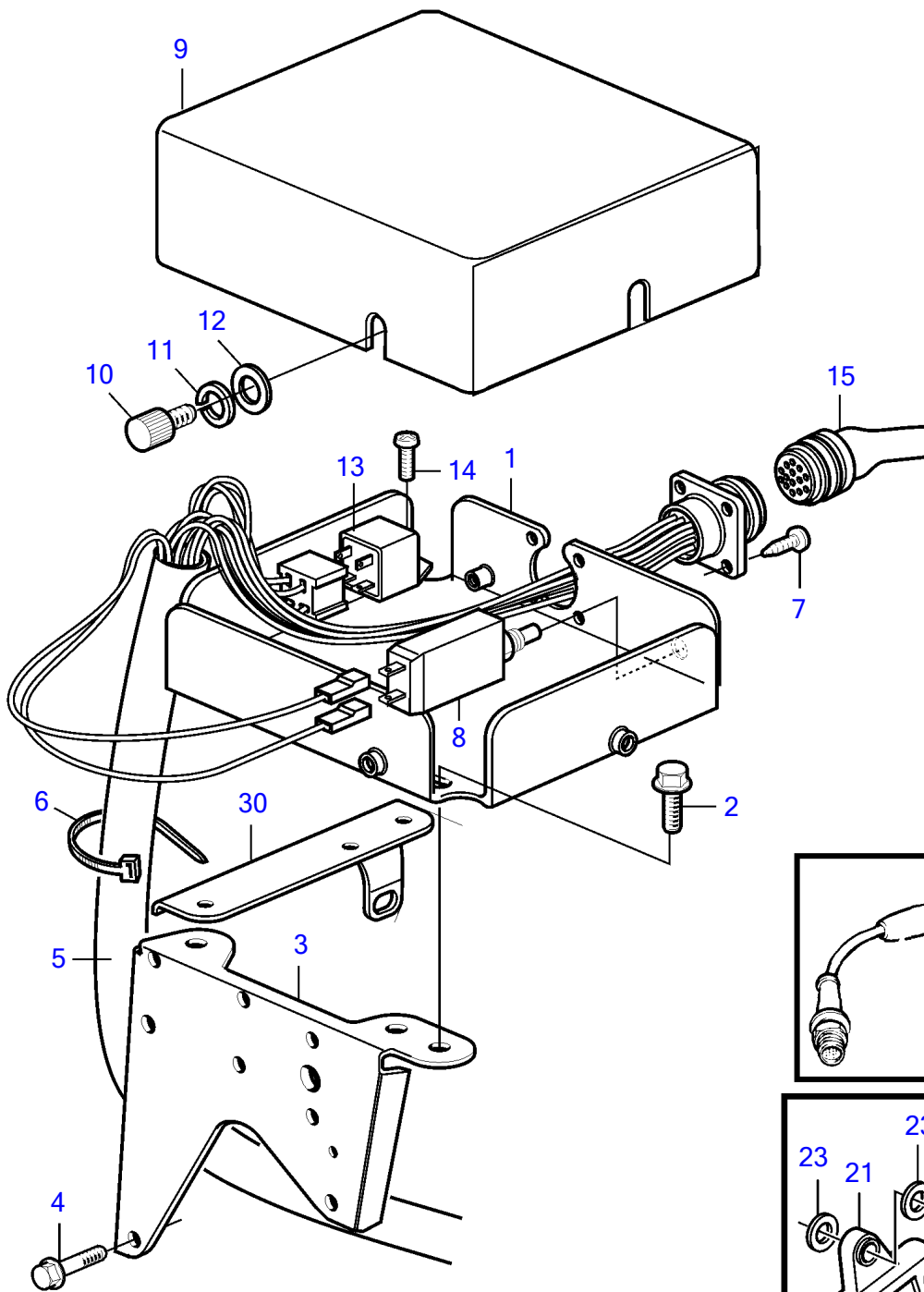


AD41L-A, AD41P-A, D41L-A



AD41L-A, AD41P-A, D41L-A

REF	PART NO.	QTY	DESCRIPTION	SEE SEC.	NOTES
1	860417	1	Bracket		
2	948746	2	Flange screw		
3	3580668	1	Bracket		
4	946470	1	Flange screw		L=35mm
	948217	1	Flange screw		L=45mm
5	873550	1	Wiring harness		Replaced by 1pcs 873744, wiring harness, and 1pcs 873740, relay.
	873744	1	Wiring harness		SN2204115148-
6	948211	X	Cable tie		
7	955119	4	Cross recessed screw		
8	966689	1	Fuse		For 24V electrical system use 2pcs 966689, fuse., 24V
9	(860779)	1	Cover		Obsolete part
10	846736	3	Lock screw		
11	941904	3	Spring washer		
12	960137	3	Washer		
13	873740	1	Relay		12V, 40A
14	968476	X	Flange screw		
15	846648	1	Extension cable'verl		L=3.0m
	846649	1	Extension cable'verl		L=5.0m
	846650	1	Extension cable'verl		L=7.0m
16	866835	1	Sensor, oil-engine		0-10BAR
			• Bulletin P-38-6-1	P-38-6-1-EN	Vibration Damping Kit
16	866836	1	Sensor		For double steering positions., Alt,0-10bar
17	863169	1	Pressure monitor, oil-pressure		0,7bar
18	873066	1	Thermo monitor, coolant water temp.		1-way., Alt, 12V 97°C
	827151	1	Temperature sensor, coolant water temp.		1-way., 40-120°C
	840074	1	Temperature sensor, coolant water temp.		1-way., For double instruments., Alt, 40-120°C
19	11998	2	Gasket		
20	1140598	X	Distributing contact		For double steering positions.
21	856355	1	Fuse		PT
22	956100	1	Cross recessed screw		
23	955893	2	Washer		
24	955781	2	Hexagon nut		
25		X	cables and terminals	1963	PT
26		X	cables and terminals		PT
27	955893	2	Washer		
28	960140	1	Washer		
29	(1234326)	1	Protecting casing		Obsolete part
30	3581444	1	Bracket		