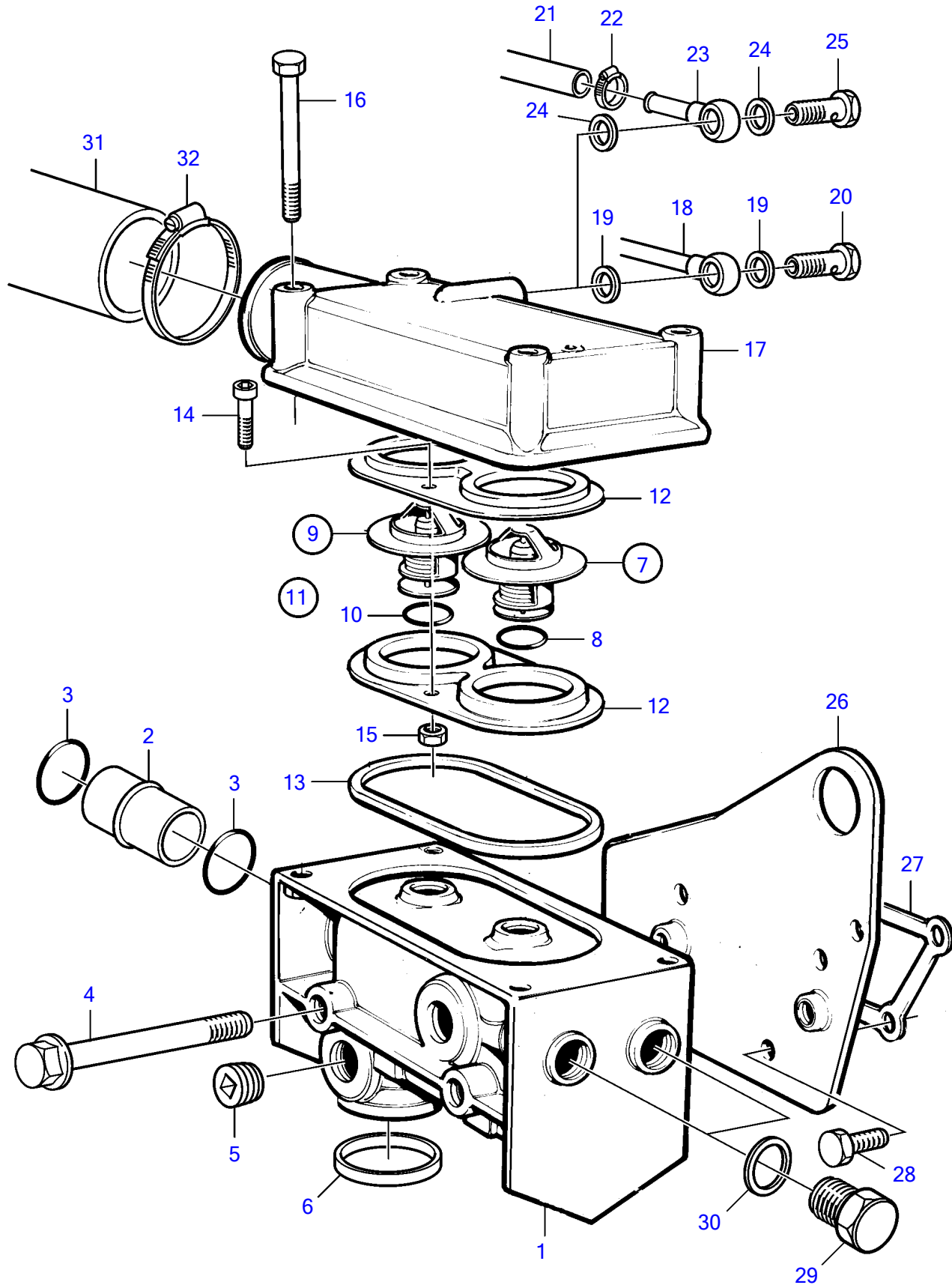


AD41L-A, AD41P-A, D41L-A, TMD41L-A



AD41L-A, AD41P-A, D41L-A, TMD41L-A

REF	PART NO.	QTY	DESCRIPTION	NOTES
1	3583098	1	Thermostat housing	(838704)
2	838739	1	Adapter	
3	968927	2	O-ring	
4	965183	2	Flange screw	
5	479977	2	Plug	
6	3583913	1	Sealing ring	
7	3831424	1	Thermostat kit	81°C (876128)
8	416033	1	• Sealing ring	
9	3831424	1	Thermostat kit	81°C (875849)
10	416033	1	• Sealing ring	
11	876145	1	Retainer kit	
12	859229	2	• Retainer	
13	838807	1	• Sealing ring	
14	963554	2	• Hexagon screw	
15	966170	2	• Lock nut	
16	965217	4	Flange screw	
17	860449	1	Cardboard tube	Obsolete part
18	860215	1	Air vent hose	Turbo-thermostat housing., For earlier version of expansion tank.
19	11994	2	Gasket	
20	969299	1	Hollow screw	
21	942700	1	Hose	Expansion tank-thermostat housing., For later version of expansion tank., L=660mm
22	945652	1	Hose clamp	
23	858750	1	Banjo nipple	
24	11994	2	Gasket	
25	969299	1	Hollow screw	
26	860518	1	Adapter	
27	1542187	1	Gasket	
28	955295	4	Hexagon screw	
29	960632	1	Plug	
30	11998	1	Gasket	
31	861110	1	Hose	Thermostat housing-heat exchanger.
32	943478	1	Hose clamp	