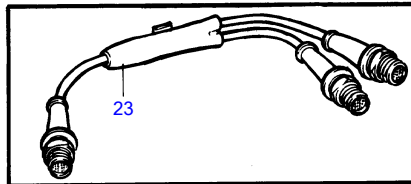
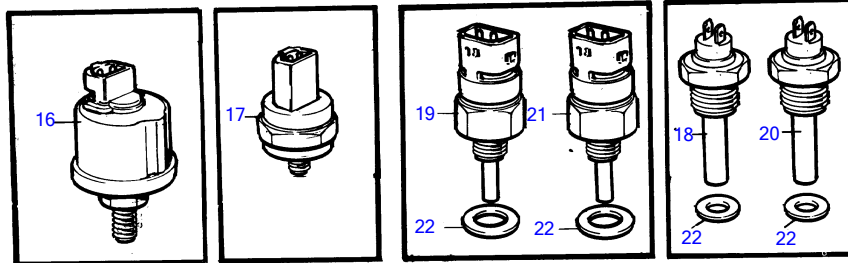
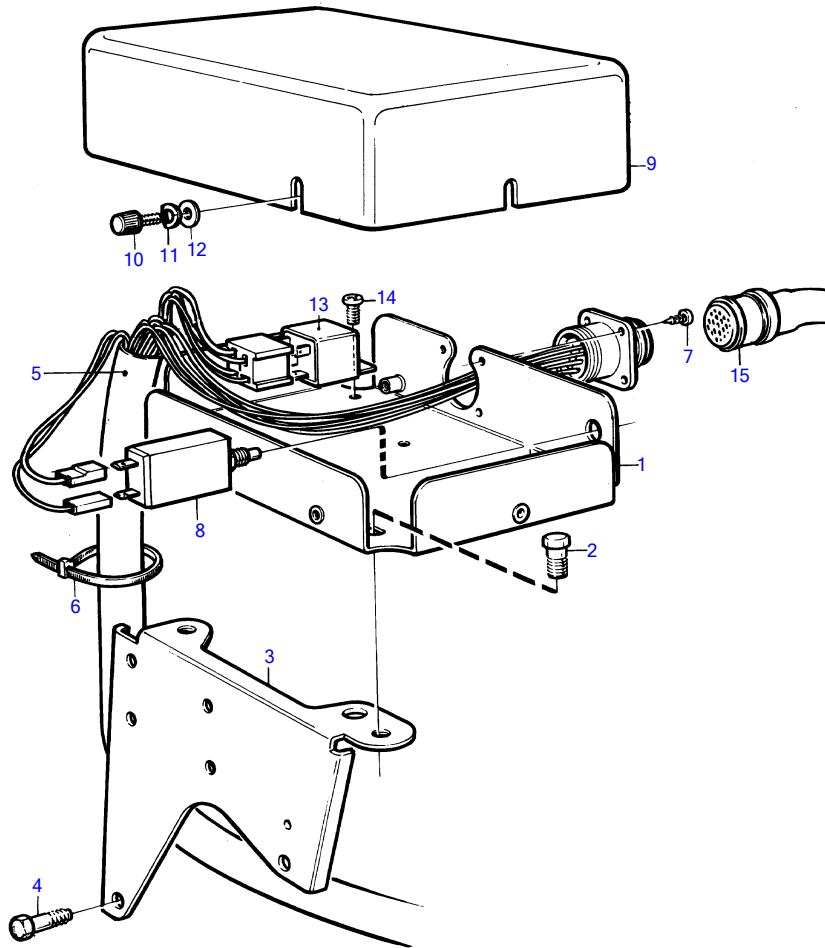


AD31D, AD31XD, TAMD31D, TMD31D



15276

## AD31D, AD31XD, TAMD31D, TMD31D

REF	PART NO.	QTY	DESCRIPTION	SEE SEC.	NOTES
1	860417	1	Bracket		
2	965175	2	Flange screw		
3	860611	1	Bracket		
4	946470	1	Flange screw		L=35mm
	948217	1	Flange screw		L=45mm
5	873550	1	Wiring harness		12V, (873053)
	873532	1	Wiring harness		24V, (873054)
6	948210	X	Cable tie		
7	955119	4	Cross recessed screw		
8	966689	1	Fuse		12V
	966689	2	Fuse		24V
9	(860779)	1	Cover		Obsolete part
10	846736	3	Lock screw		
11	941904	3	Spring washer		
12	960137	3	Washer		
13	860339	1	Relay		12V, 50A
	838955	1	Relay		24V, 50A
	873611	1	Relay		(837878) 24V, 20A
14	955138	X	Cross recessed screw		
15	846648	1	Extension cable\verl		L=3.0m
	846649	1	Extension cable\verl		L=5.0m
	846650	1	Extension cable\verl		L=9.0m
16	866835	1	Sensor, oil-engine		0-10BAR
			• Bulletin P-38-6-1	P-38-6-1-EN	Vibration Damping Kit
16	866836	1	Sensor, oil-engine		For double instruments., Alt,0-10bar
17	863169	1	Pressure monitor, oil-pressure		0,7bar
18	873066	1	Thermo monitor, coolant water temp.		12V 97°C
19	862250	1	Thermo monitor, coolant water temp.		24V 97°C
20	827151	1	Temperature sensor, coolant water temp.		12V 40-120°C
	840074	1	Temperature sensor, coolant water temp.		For double instruments., Alt,12V 40-120°C
	843325	1	Temperature sensor, coolant water temp.		24V 120°C late type
21	862154	1	Temperature sensor, coolant water temp.		24V 120°C
					Early type
22	957181	2	Gasket		
23	1140598	X	Distributing contact		For double steering positions.