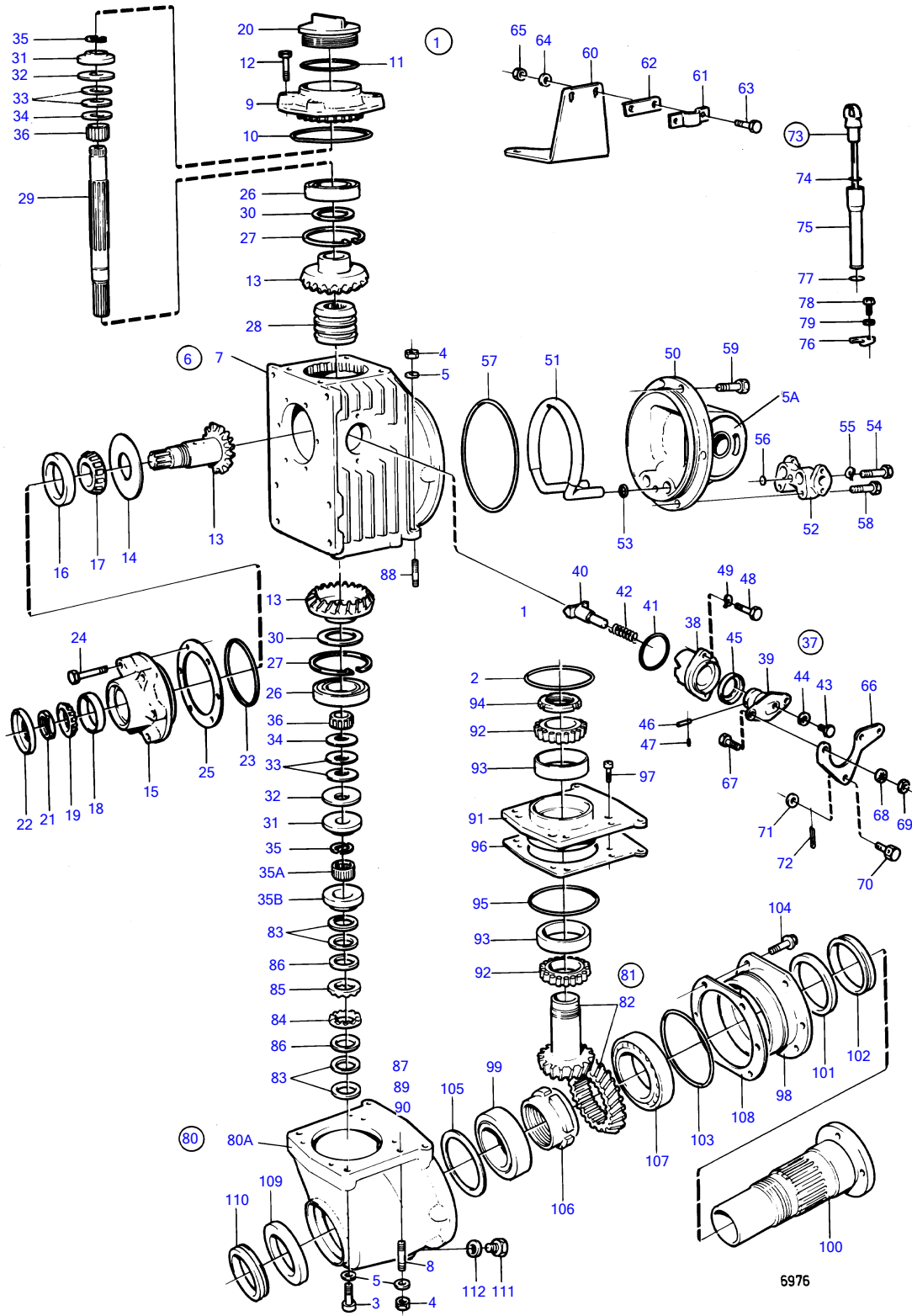


MD30A



## MD30A

| REF | PART NO. | QTY | DESCRIPTION            | SEE SEC.    | NOTES                             |
|-----|----------|-----|------------------------|-------------|-----------------------------------|
| 1   |          | 1   | V-DRIVE UNIT MS2V      |             | RATIO 3,0:1                       |
| 2   | 925256   | 1   | • O-ring               |             |                                   |
| 3   | 963702   | 2   | • Hex. socket screw    |             |                                   |
| 4   | 963106   | 4   | • Lock nut             |             |                                   |
| 5   | 955894   | 4   | • Washer               |             |                                   |
| 5A  | 838507   | 1   | • Rubber element       |             |                                   |
| 6   | 852582   | 1   | • Upper gear           |             |                                   |
| 7   | 852729   | 1   | • • Housing            |             | OBSOLETE PART                     |
| 8   | 924066   | 2   | • • Stud               |             |                                   |
| 9   | 852524   | 1   | • • Cover              |             |                                   |
| 10  | 949962   | 1   | • • O-ring             |             |                                   |
| 11  | 925254   | 1   | • • O-ring             |             |                                   |
| 12  | 946671   | 4   | • • Flange screw       |             |                                   |
| 13  | 851616   | 1   | • • Gear set           |             |                                   |
| 14  | 851621   | 1   | • • Turntable          |             |                                   |
| 15  | 851619   | 1   | • • Bearing box        |             |                                   |
| 16  | 181302   | 1   | • • Cup                |             |                                   |
| 17  | 181301   | 1   | • • Inner ring         |             |                                   |
| 18  | 183750   | 1   | • • Cup                |             |                                   |
| 19  | 183752   | 1   | • • Cone               |             |                                   |
| 20  | 851754   | 1   | • • Filler cap         |             |                                   |
| 21  | 852485   | 1   | • • Lock nut           |             |                                   |
| 22  | 851755   | 1   | • • Sealing ring       |             |                                   |
| 23  | 925093   | 1   | • • O-ring             |             |                                   |
| 24  | 940101   | 6   | • • Hexagon screw      |             |                                   |
| 25  | 851622   | X   | • • Adjusting washer   |             | TH = 0.10mm                       |
|     | 851623   | X   | • • Adjusting washer   |             | TH=0,15mm                         |
|     | 851624   | X   | • • Adjusting washer   |             | TH = 0.35mm                       |
| 26  | 851756   | 2   | • • Bearing            |             |                                   |
| 27  | 852190   | 2   | • • Lock ring          |             |                                   |
| 28  | 851626   | 1   | • • Sliding sleeve     |             |                                   |
| 29  | 852527   | 1   | • • Shaft              |             |                                   |
| 30  | 852184   | X   | • • Shim               |             | TH = 0,05 MM                      |
|     | 84219    | X   | • • Shim               |             | TH = 0.10mm                       |
|     | 949776   | X   | • • Shim               |             | TH=0,15mm                         |
|     | 84218    | X   | • • Shim               |             | TH = 0.35mm                       |
| 31  | 852079   | 2   | • • Lock washer        |             |                                   |
| 32  | 852213   | 2   | • • Disc spring        |             |                                   |
| 33  | 852080   | 6   | • • Disc spring        |             |                                   |
| 34  | 852311   | 2   | • • Washer             |             | TH = 0.4mm                        |
|     | 852317   | 2   | • • Washer             |             | TH = 0.8mm                        |
| 35  | 851629   | 4   | • • Lock ring half     |             |                                   |
| 35A | 192100   | 1   | • • Needle bearing     |             | OBSOLETE PART                     |
| 35B | 852967   | 1   | • • Bearing sleeve     |             | OBSOLETE PART, (852618)           |
| 36  | 851757   | 2   | • • Needle bearing     |             |                                   |
| 37  | 851661   | 1   | • • Shift mechanism    |             |                                   |
| 38  | 851662   | 1   | • • • Bearing housing  |             |                                   |
| 39  | 897816   | 1   | • • • Eccentric piston |             |                                   |
|     |          |     | Bulletin P-44-1-7      | P-44-1-7-EN | Shift mechanism, eccentric piston |
| 40  | 851664   | 1   | • • • Dog              |             |                                   |
| 41  | 925065   | 1   | • • • O-ring           |             |                                   |
| 42  | 814184   | 1   | • • • Spring           |             |                                   |
| 43  | 897711   | 1   | • • • Screw            |             |                                   |
| 44  | 897871   | X   | • • • Shim             |             | TH = 0.20mm                       |
| 45  | 958838   | 1   | • • • Sealing ring     |             |                                   |
| 46  | 942871   | 1   | • • • Clevis pin       |             |                                   |
| 47  | 951924   | 1   | • • • Spring pin       |             |                                   |
| 48  | 955296   | 2   | • • Hexagon screw      |             |                                   |
| 49  | 941907   | 2   | • • Spring washer      |             |                                   |
| 50  | 851872   | 1   | • • Bracket            |             |                                   |
| 51  | 852159   | 1   | • • Oil cooler         |             |                                   |
| 52  | 852733   | 1   | • • Pipe connection    |             | OBSOLETE PART                     |
| 53  | 943309   | 2   | • • O-ring             |             |                                   |

## MD30A

| REF | PART NO. | QTY | DESCRIPTION              | SEE SEC. | NOTES                      |
|-----|----------|-----|--------------------------|----------|----------------------------|
| 54  | 955278   | 1   | • • Hexagon screw        |          |                            |
| 55  | 941906   | 1   | • • Spring washer        |          |                            |
| 56  | 949750   | 1   | • • O-ring               |          |                            |
| 57  | 925262   | 1   | • • O-ring               |          |                            |
| 58  | 945444   | 4   | • • Flange screw         |          | L = 25 MM                  |
| 59  | 965179   | 2   | • • Flange screw         |          | L = 50 MM                  |
| 60  | 851441   | 1   | • • Bracket              |          |                            |
| 61  | 21471054 | 1   | • • Bracket              |          |                            |
| 62  | 819068   | 1   | • • Washer               |          |                            |
| 63  | 955246   | 2   | • • Hexagon screw        |          |                            |
| 64  | 940090   | 2   | • • Washer               |          |                            |
| 65  | 946577   | 2   | • • Lock nut             |          |                            |
| 66  | 852363   | 1   | • • Intermediate lever   |          |                            |
| 67  | 955270   | 2   | • • Hexagon screw        |          |                            |
| 68  | 955948   | 2   | • • Toothed washer       |          |                            |
| 69  | 955781   | 2   | • • Hexagon nut          |          |                            |
| 70  | 804312   | 1   | • • Cube                 |          |                            |
| 71  | 955892   | 1   | • • Washer               |          |                            |
| 72  | 907834   | 1   | • • Split pin            |          | (17276)                    |
| 73  | 852915   | 1   | • • Oil dipstick         |          |                            |
| 74  | 925054   | 1   | • • • O-ring             |          |                            |
| 75  | 852916   | 1   | • • Tube                 |          |                            |
| 76  | 852229   | 1   | • • Cardboard tube       |          |                            |
| 77  | 925055   | 1   | • • O-ring               |          |                            |
| 78  | 956063   | 1   | • • Cross recessed screw |          |                            |
| 79  | 955891   | 1   | • • Washer               |          |                            |
| 80  | 852600   | 1   | • Lower gear             |          |                            |
| 80A | 852739   | 1   | • • Housing              |          | OBSOLETE PART              |
| 81  | 851449   | 1   | • • Gear set             |          | OBSOLETE PART              |
| 82  |          | 2   | • • • GEAR               |          |                            |
| 83  |          | 4   | • • • CUP SPRING         |          |                            |
| 84  |          | 18  | • • • OUTER DISC         |          |                            |
| 85  |          | 17  | • • • INNER DISC         |          |                            |
| 86  |          | 2   | • • • THRUST WASHER      |          |                            |
| 87  |          | 1   | • • • ADJUSTING SCREW    |          |                            |
| 88  | 953053   | 2   | • • Stud                 |          |                            |
| 89  | 851415   | 1   | • • Guide sleeve         |          |                            |
| 90  | 925056   | 2   | • • O-ring               |          |                            |
| 91  | 852589   | 1   | • • Bearing box          |          | OBSOLETE PART              |
| 92  | 181305   | 2   | • • Cone                 |          | REPL BY 183842             |
| 93  | 181662   | 1   | • • Cup                  |          | REPL BY 183842             |
|     | 183842   | 1   | • Roller bearing         |          |                            |
| 94  | 852616   | 1   | • • Lock nut             |          | OBSOLETE PART              |
| 95  | 925256   | 1   | • • O-ring               |          |                            |
| 96  | 852593   | X   | • • Adjusting washer     |          | OBSOLETE PART, TH = 0.10mm |
|     | 852594   | X   | • • Adjusting washer     |          | TH=0,15mm                  |
|     | 852595   | X   | • • Adjusting washer     |          | OBSOLETE PART, TH = 0.35mm |
| 97  | 959202   | 4   | • • Hex. socket screw    |          | OBSOLETE PART, L = 14 MM   |
| 98  | 852584   | 1   | • • Bearing housing      |          |                            |
| 99  | 184619   | 1   | • • Roller bearing       |          | OBSOLETE PART              |
| 100 | 852599   | 1   | • • Tubular shaft        |          |                            |
| 101 | 959039   | 1   | • • Sealing ring         |          |                            |
| 102 | 944144   | 1   | • • Sealing ring         |          |                            |
| 103 | 925263   | 1   | • • O-ring               |          |                            |
| 104 | 945444   | 6   | • • Flange screw         |          |                            |
| 105 | 943252   | X   | • • Shim                 |          | TH = 0,05 MM               |
|     | 943866   | X   | • • Shim                 |          | TH = 0.10mm                |
|     | 943867   | X   | • • Shim                 |          | TH = 0.20mm                |
|     | 967557   | X   | • • Shim                 |          | TH = 0,30mm                |
|     | 943868   | X   | • • Shim                 |          | TH = 0.40 mm               |
| 106 | 852619   | 1   | • • Nut                  |          | OBSOLETE PART              |
| 107 | 184620   | 1   | • • Roller bearing       |          |                            |
| 108 | 852590   | X   | • • Adjusting washer     |          | OBSOLETE PART, TH = 0.10mm |

7744050-44-18194B

6976

Upd:2010-07-01

AD30A, AQAD30A, MD30A, TAMD30A, TMD30A, AD30, AQAD30, MD30, TAMD30, TMD30

**VOLVO**  
**PENTA**

